



1300 East Normandy Place
Santa Ana, CA 92705
Phone: (714) 547-9975
Fax: (714) 547-2983
Web: <http://www.saftco.com>

Will Call Hours
Monday—Friday
6:00 am—5:00 pm





About



SAF-T-CO SUPPLY, was founded in September 1987 by Patricia McDonald as its sole owner and stockholder. Patricia worked for the first two years as a home based business. In October 1989, SAF-T-CO expanded from 2 employees to 7 and moved to a new location in Santa Ana. In 1991, SAF-T-CO expanded to a new location in Santa Ana with an 11,000 sq. foot warehouse on 37,000 sq. feet of land and expanded from 7 to 25 employees over the six year period at this location. In June of 1997, SAF-T-CO made another move to it's present location of 1300 E Normandy Place, in Santa Ana. At this location, SAF-T-CO has 67,000 sq. feet of land and a 23,000 sq. foot building. SAF-T-CO has 52 employees, of which 80% are minorities and women. Today SAF-T-CO SUPPLY is a distributor of underground utility and electrical supplies and a fabricator of PVC, steel, and fiberglass fittings and bends.

SAF-T-CO is proud to have been involved in such projects as the Eastern Transportation Corridor, as well as many Caltrans freeway projects and the expansion of the Port of Los Angeles. Most recently SAF-T-CO supplied material for the Exposition Light Rail Transit project in Downtown Los Angeles and Disney Land's World of Color. SAF-T-CO continues to supply materials under state and federal guidelines for a Woman Owned Business. SAF-T-CO currently supplies conduit for Verizon, SBC, A.T. & T., Southern California Edison and San Diego Gas and Electric. It also supplies many underground and electrical contractors in California, Nevada and Arizona. SAF-T-CO is certified as a Woman Business Enterprise with the Public utilities commission, City of Los Angeles, State of California Department of General Services and the Metropolitan Transportation Authority.

In 1992, Patty was nominated by Senator John Seymore to the Republican Senatorial Inner Circle, whose membership is limited to those nominated by Senators. She has received the Republican Senatorial Medal of Freedom from Senator Phil Gramm and was honored at a banquet in Washington D. C. The Medal of Freedom is the highest honor the Republican members of the U. S. Senate can bestow. Patty has currently received a Senatorial Commission from the Inner Circle.

Patty McDonald is dedicated to the construction industry and is extremely active in the business community. In 1993 she was nominated for business woman of the year from the Santa Ana Chamber of Commerce of which she is a member. In 2003 Patty was honored by the National Association of Women Business Owners (NAWBO) with the Lifetime Achievement Award. Saf-T-Co is also active in industry organizations such as the National Association of Electrical Distributors (NAED) and IMARK. Patty served as a regional council member for the National Association of Electrical Distributors for eight years.

SAF-T-CO is also proud to be a leader in the community. It supports many charitable organizations, including Child Help USA, WISE Place transitional shelter for homeless women, Susan G. Komen for the Cure, Big Brothers and Big Sisters, and Containers for Hope. SAF-T-CO also supports numerous youth sports teams in the community.

SAF-T-CO attributes its success to an outstanding commitment to customer service. SAF-T-CO is positioned as a leader in its industry and has a diversified staff to cover all of our customer's needs.

Table of Contents

PVC

- Schedule 40
- Schedule 80
- Direct Burial PVC
- Encased Burial
- Communication Duct
- Gas Sleeve
- Innerduct (HDPE)
- Standard Radius Elbows
- Sweeps
- Molded Fittings
- Split Duct
- Quik-Duct
- Bore-gard
- Certa-Com
- Custom Order

Steel

- Galvanized Rigid Conduit (GRC)
- EMT
- IMC
- PVC Coated Electrical Conduit
- Standard Radius Elbows
- Sweeps
- Nipples
- Couplings
- Expansion Joints
- Aluminum

Fiberglass

- Conduit
- Sweeps
- Fittings

Roadway

- Poles
- Arms
- Meter Pedestals
- Traffic Signal Controls
- Signs
- Luminaires
- Rebar Cages
- Fuse Kits
- Photo Cells
- Anchor Bolts

Transformers

- Dry Type
- Oil Filled

Utility Boxes

- Transformer Pads and Enclosures
- Grade Rings
- Hand Holes
- Pull Boxes
- Vaults
- Manhole Covers
- Manhole Accessories

Specialty Items

- Bridge Hangers and Cradles
- Bridge Epoxy

Wire and Grounding

- THHN
- THW
- Fiber Optic Cable
- Traffic Loop
- Phone Cable
- Bare Copper
- Ground Rods
- Exothermic Grounding
- Bushings

Wire Pulling Accessories

- Rope
- Twine
- Pull Tape
- Missiles
- Pulling Lube
- Blowing Tools
- Pulling Grips
- Pulling Eyes and Swivels
- Rodders
- Mandrels
- Sheaves

Miscellaneous

- Asphalt Patch
- Marking Paint
- Caution Tape
- Duct Tape
- Spacers
- PVC Glue
- Saws
- Plugs
- GRC Strut Straps
- Barrier Posts
- False Curbs

PVC

Heavy Wall Conduit PVC Rigid Electrical Conduit Schedule 40



Conforms to UL Standard 651
and NEMA Standard TC-2



1. SCH 40 conduit is rated for 90 C Conductors Per UL 651.
2. SCH 40 is sunlight resistant per UL 651.
3. SCH 40 conduit is provided in 10' total length, with 20' total length available.
4. All conduit is provided with one end belled standard. Plain-ended conduit may be available.
5. Conduit color is gray, except where noted.
6. 8" SCH 40 is not UL listed.

Size	Avg. OD	Avg. ID	Min. Wall	Weight lb/100'	10' length Item No.	Lift Size	20' Length Item No.	Lift Size
1/2"	.840	.60	.109	16	PVC40050	6,000	N/A	N/A
3/4"	1.050	.80	.113	21	PVC40075	4,400	PVC400751	8,800
1"	1.315	1.03	.133	32	PVC40100	3,600	PVC40101	7,200
1 1/4"	1.660	1.36	.140	46	PVC40125	3,300	PVC401251	6,600
1 1/2"	1.900	1.59	.145	55	PVC40150	2,250	PVC401501	4,500
2"	2.375	2.04	.154	73	PVC40200	1,400	PVC40201	2,800
2 1/2"	2.875	2.44	.203	116	PVC40250	930	PVC40251	1,860
3"	3.500	3.03	.216	166	PVC40300	880	PVC40301	2,000
3 1/2"	4.000	3.51	.226	199	PVC40350	630	N/A	N/A
4"	4.500	3.99	.237	236	PVC40400	570	PVC40401	1,140
5"	5.563	5.01	.258	320	PVC40500	380	PVC40501	760
6"	6.625	6.02	.280	415	PVC40600	260	PVC40601	520
8"	N/A	N/A	N/A	N/A	PVC40800	N/A	PVC40801	N/A

Prime Conduit, Inc.



CANTEX

PVC

Heavy Wall Conduit PVC Rigid Electrical Conduit Schedule 80



Conforms to UL Standard 651
and NEMA Standard TC-2

1. SCH 80 conduit is rated for 90 C Conductors Per UL 651.
2. SCH 80 is sunlight resistant per UL 651.
3. SCH 80 conduit is provided in 10' total length, with 20' total lengths available.
4. All conduit is provided with one end belled standard. Plain-ended conduit may be available.
5. Conduit color is gray, except where noted.

Size	Avg. OD	Avg. ID	Min. Wall	Weight lb/100'	10' length Item No.	Lift Size	20' Length Item No.	Lift Size
1/2"	.840	.52	.147	21	PVC80050	6,000	N/A	N/A
3/4"	1.050	.72	.154	28	PVC80075	4,400	N/A	N/A
1"	1.315	.93	.179	42	PVC80100	3,600	N/A	N/A
1 1/4"	1.660	1.25	.191	57	PVC80125	3,300	N/A	N/A
1 1/2"	1.900	1.47	.200	69	PVC80150	2,250	PVC801501	4,500
2"	2.375	1.90	.218	96	PVC80200	1,400	PVC80201	2,800
2 1/2"	2.875	2.28	.276	146	PVC80250	930	N/A	N/A
3"	3.500	2.85	.300	196	PVC80300	880	PVC80301	1,760
4"	4.500	3.77	.337	286	PVC80400	570	PVC80401	1,140
5"	5.563	4.76	.375	397	PVC80500	380	PVC80501	760
6"	6.625	5.70	.432	546	PVC80600	260	N/A	N/A



CANTEX
Prime Conduit, Inc.



Direct Burial DB-60 Duct

Conforms to: NEMA TC-6, ASTM F512



- Duct is provided with 20' length.
- All duct is provided with one end belled standard.
- Plain-ended conduit may be available.
- Duct color is gray.
- Weights based on 500,000 psi modulus compound.
- 400,000 modulus compound available.



Pipe Size	Aver. O.D.	Aver. I.D.	Wall Min.	Weight lbs/100'	Lift Size	Item No.
2"	2.375	2.24	.060	35	2,800	CONDB60200
3"	3.500	3.21	.092	76	1,760	CONDB60300
4"	4.500	4.24	.121	126	1,140	CONDB60400
5"	5.563	5.24	.152	192	760	CONDB60500
6"	6.625	6.25	.182	273	520	CONDB60600

DB-100 Duct

Conforms to: ASTM F512



Pipe Size	Aver. O.D.	Aver. I.D.	Wall Min.	Weight lbs/100'	Lift Size	Item No.
3"	3.500	3.27	.113	89	2,000	CONDB100300
4"	4.500	4.20	.140	152	1,140	CONDB100400
5"	5.563	5.20	.180	231	760	CONDB100500
6"	6.625	6.19	.213	328	520	CONDB100600

CANTEX

Prime Conduit, Inc.

PVC

Direct Burial

DB-120 Duct

Conforms to: NEMA TC-8, ASTM F512, PTS 66 (1" , 1 1/2" & 2")

Pipe Size	Aver. O.D.	Aver. I.D.	Wall Min.	Weight lbs/100'	Lift Size	Item No.
1"	1.315	1.18	.060	18	7,200	CONDB120100
1 1/2"	1.900	1.76	.060	28	4,500	CONDB120150
2"	2.375	2.22	.077	43	2,800	CONDB120200
2 1/2"	2.868	2.66	.099	65	1,860	CONDB120250
3"	3.500	3.26	.118	95	2,000	CONDB120300
4"	4.500	4.18	.154	156	1,140	CONDB120400
5"	5.563	5.18	.191	242	760	CONDB120500
6"	6.625	6.17	.227	339	520	CONDB120600



CANTEX



Prime Conduit, Inc.

Enclosed Burial

- Duct is provided with 20' length.
- All duct is provided with one end belled standard.
- Plain-ended conduit may be available.
- Duct color is gray.

EB-20 Duct

Conforms to: NEMA TC-6, UL 651A, ASTM F512



Pipe Size	Aver. O.D.	Aver. I.D.	Wall Min.	Weight lbs/100'	Lift Size	Item No.
2"	2.375	2.255	.060	32	2,800	CONEB20200
3"	3.500	3.378	.061	54	1,760	CONEB20300
4"	4.500	4.336	.082	89	1,140	CONEB20400
5"	5.563	5.357	.103	136	760	CONEB20500
6"	6.625	6.375	.125	193	520	CONEB20600

EB-35 Duct

Conforms to: NEMA TC-8, ASTM F512



Pipe Size	Aver. O.D.	Aver. I.D.	Wall Min.	Weight lbs/100'	Lift Size	Item No.
3"	3.500	3.340	.076	65	1,760	CONEB35300
4"	4.500	4.292	.100	107	1,140	CONEB35400
5"	5.563	5.307	.126	163	760	CONEB35500
6"	6.625	6.317	.152	230	520	CONEB35600

PVC

Communication Duct

AT&T Duct



Pipe Size	Aver. O.D.	Min. I.D.	Min. Wall	Weight lbs/100'	Item No.
4"	4.350	3.94	.149	149	ATT400

CANTEX

Verizon Duct



Pipe Size	Aver. O.D.	Min. I.D.	Min. Wall	Weight lbs/100'	Item No.
4"	4.350	3.94	.149	149	VER400

Prime Conduit, Inc.

PVC

Communication Duct

Type C Duct

Pipe Size	Aver. O.D.	Min. I.D.	Min. Wall	Weight lbs/100'	Item No.
4"	4.350	3.94	.149	149	CONC400



PVC

Communication Duct

Verizon Telephone Duct

Conforms to General Telephone Specification GTS-8342
Note: 20' lay length

Pipe Size	Aver. O.D.	Min. I.D.	Min. Wall	Weight lbs/100'	Item No.
4	4.500	4.21	.145	154	VER400

Verizon Telephone Sweeps

Size x Degree	Radius				
	36"	48"	60"	12 ^{1/2} '	25'
4 x 90	VER4009036	VER4009048	VER4009060	N/A	N/A
4 x 45	VER4004536	VER4004548	N/A	VER40045150	N/A
4 x 22 ^{1/2}	VER4002236	VER4002248	N/A	VER40022150	VER40022300
4 x 11 ^{1/4}	N/A	N/A	N/A	VER40011150	VER40011300

Special Radius & Split Bends Available



Natural Gas Slewing

1. No pressure rating is implied.
2. Not intended for use of transmission of gas.
3. Standard color is yellow.
4. Produced in 20 foot lengths, however 10 foot lengths may be available.



Size	Avg. OD	Avg. ID	Min. Wall	Weight lb/100'	20' Length Item No.
1"	1.315	1.03	.133	32	CONG100
2"	2.375	2.04	.154	73	CONG200
4"	4.500	3.99	.237	236	CONG400
6"	6.625	6.02	.280	415	CONG600

PVC

Corrugated Innerduct

TOUGH, SUPERIOR FLEXIBILITY FOR FIBER CABLE PLACEMENT

FEATURES

- Preinstalled pull line slack available.
- May be specified in custom sizes, colors and lengths
- Multiple innerducts per reel
- Available in VO fire retardant grades



Ribbed Innerduct

FEATURES



- Preinstalled pull line slack available.
- May be specified in custom sizes, colors and lengths
- Sequential footage markings
- Multiple innerducts per reel
- Available in VO fire retardant grades

Smoothwall Innerduct

FEATURES

- Preinstalled pull line slack available.
- May be specified in custom sizes, colors and lengths
- Sequential footage markings
- Multiple innerducts per reel
- Available in VO fire retardant grades
- Aerial duct with special Ultra Violet inhibitors and anti-oxidants for longer life



A-D TECHNOLOGIES
ARNCO • dura-line

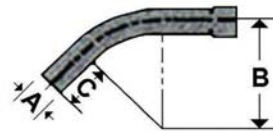
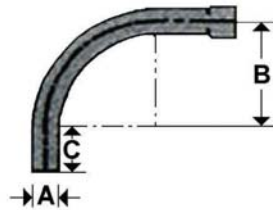
PVC

PVC Standard Radius Elbows Schedule 40



Conforms to UL Standard 651 and conforms to NEMA TC-3

Size	Standard Radius Sweep Dimension			90 Degree Item No.	45 Degree Item No.	30 Degree Item No.	22 ^{1/2} Degree Item No.
	A	B Min. (in.)	C Min. (in.)				
1/2"	.840	4.000	1.500	PVC4005090EL	PVC4005045EL	PVC4005030EL	PVC4005022EL
3/4"	1.050	4.500	1.500	PVC4007590EL	PVC4007545EL	PVC4007530EL	PVC4007522EL
1"	1.315	5.750	1.875	PVC4010090EL	PVC4010045EL	PVC4010030EL	PVC4010022EL
1 ^{1/4} "	1.660	7.250	2.000	PVC4012590EL	PVC4012545EL	PVC4012530EL	PVC4012522EL
1 ^{1/2} "	1.900	8.250	2.000	PVC4015090EL	PVC4015045EL	PVC4015030EL	PVC4015022EL
2"	2.375	9.500	2.000	PVC4020090EL	PVC4020045EL	PVC4020030EL	PVC4020022EL
2 ^{1/2} "	2.875	10.500	3.000	PVC4025090EL	PVC4025045EL	PVC4025030EL	PVC4025022EL
3"	3.500	13.000	3.125	PVC4030090EL	PVC4030045EL	PVC4030030EL	PVC4030022EL
3 ^{1/2} "	4.000	15.000	3.250	PVC4035090EL	PVC4035045EL	PVC4035030EL	PVC4035022EL
4"	4.500	16.000	3.375	PVC4040090EL	PVC4040045EL	PVC4040030EL	PVC4040022EL
5"	5.563	24.000	3.625	PVC4050090EL	PVC4050045EL	PVC4050030EL	PVC4050022EL
6"	6.625	30.000	3.750	PVC4060090EL	PVC4060045EL	PVC4060030EL	PVC4060022EL





Schedule 40 Sweeps

90 Degree

Size x Degree	Radius				
	18"	24"	36"	48"	60"
1 x 90	PVC401009018	PVC401009024	PVC401009036	N/A	N/A
1 ^{1/4} x 90	PVC401259018	PVC401259024	PVC401259036	N/A	N/A
1 ^{1/2} x 90	PVC401509018	PVC401509024	PVC401509036	N/A	N/A
2 x 90	PVC402009018	PVC402009024	PVC402009036	PVC402009048	N/A
2 ^{1/2} x 90	N/A	PVC402509024	PVC402509036	PVC402509048	N/A
3 x 90	N/A	PVC403009024	PVC403009036	PVC403009048	N/A
3 ^{1/2} x 90	N/A	PVC403509024	PVC403509036	PVC403509048	N/A
4 x 90	N/A	PVC404009024	PVC404009036	PVC404009048	PVC404009060
5 x 90	N/A	N/A	PVC405009036	PVC405009048	PVC405009060
6 x 90	N/A	N/A	PVC406009036	PVC406009048	PVC406009060

45 Degree

Size x Degree	Radius				
	18"	24"	36"	48"	12 ^{1/2} "
1 x 45	PVC401004518	PVC401004524	N/A	N/A	N/A
1 ^{1/4} x 45	PVC401254518	PVC401254524	N/A	N/A	N/A
1 ^{1/2} x 45	PVC401504518	PVC401504524	N/A	N/A	N/A
2 x 45	N/A	PVC402004524	PVC402004536	PVC402004548	PVC4020045150
2 ^{1/2} x 45	N/A	PVC402504524	PVC402504536	PVC402504548	PVC4025045150
3 x 45	N/A	PVC403004524	PVC403004536	PVC403004548	PVC4030045150
3 ^{1/2} x 45	N/A	N/A	PVC403504536	PVC403504548	PVC4035045150
4 x 45	N/A	N/A	PVC404004536	PVC404004548	PVC4040045150
5 x 45	N/A	N/A	PVC405004536	PVC405004548	PVC4050045150
6 x 45	N/A	N/A	PVC406004536	PVC406004548	PVC4060045150

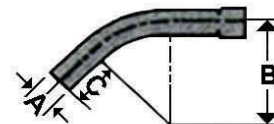
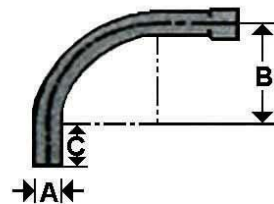
PVC

PVC Standard Radius Elbows Schedule 80



Conforms to UL Standard 651 and conforms to NEMA TC-3

Size	Standard Radius Sweep Dimension			90 Degree Item No.	45 Degree Item No.	30 Degree Item No.	22 ^{1/2} Degree Item No.
	A	B Min. (in.)	C Min. (in.)				
1/2"	.840	4.000	1.500	PVC8005090EL	PVC8005045EL	PVC8005030EL	PVC8005022EL
3/4"	1.050	4.500	1.500	PVC8007590EL	PVC8007545EL	PVC8007530EL	PVC8007522EL
1"	1.315	5.750	1.875	PVC8010090EL	PVC8010045EL	PVC8010030EL	PVC8010022EL
1 ^{1/4} "	1.660	7.250	2.000	PVC8012590EL	PVC8012545EL	PVC8012530EL	PVC8012522EL
1 ^{1/2} "	1.900	8.250	2.000	PVC8015090EL	PVC8015045EL	PVC8015030EL	PVC8015022EL
2"	2.375	9.500	2.000	PVC8020090EL	PVC8020045EL	PVC8020030EL	PVC8020022EL
2 ^{1/2} "	2.875	10.500	3.000	PVC8025090EL	PVC8025045EL	PVC8025030EL	PVC8025022EL
3"	3.500	13.000	3.125	PVC8030090EL	PVC8030045EL	PVC8030030EL	PVC8030022EL
4"	4.500	16.000	3.375	PVC8040090EL	PVC8040045EL	PVC8040030EL	PVC8040022EL
5"	5.563	24.000	3.625	PVC8050090EL	PVC8050045EL	PVC8050030EL	PVC8050022EL
6"	6.625	30.000	3.750	PVC8060090EL	PVC8060045EL	PVC8060030EL	PVC8060022EL



PVC

Schedule 40 Sweeps

22.5 Degree

Size x Degree	Radius				
	18"	24"	36"	48"	12 ^{1/2} '
1 x 22 ^{1/2}	PVC401002218	PVC401002224	N/A	N/A	N/A
1 ^{1/4} x 22 ^{1/2}	PVC401252218	PVC401252224	N/A	N/A	N/A
1 ^{1/2} x 22 ^{1/2}	PVC401502218	PVC401502224	N/A	N/A	N/A
2 x 22 ^{1/2}	N/A	PVC402002224	PVC402002236	N/A	PVC4020022150
2 ^{1/2} x 22 ^{1/2}	N/A	PVC402502224	PVC402502236	N/A	PVC4025022150
3 x 22 ^{1/2}	N/A	PVC403002224	PVC403002236	PVC403002248	PVC4030022150
3 ^{1/2} x 22 ^{1/2}	N/A	N/A	PVC403502236	PVC403502248	PVC4035022150
4 x 22 ^{1/2}	N/A	N/A	PVC404002236	PVC404002248	PVC4040022150
5 x 22 ^{1/2}	N/A	N/A	PVC405002236	PVC405002248	PVC4050022150
6 x 22 ^{1/2}	N/A	N/A	PVC406002236	PVC406002248	PVC4060022150

11.25 Degree

Size x Degree	Radius
	12 ^{1/2} '
1 x 11 ^{1/4}	PVC4010011150
1 ^{1/4} x 11 ^{1/4}	PVC4012511150
1 ^{1/2} x 11 ^{1/4}	PVC4015011150
2 x 11 ^{1/4}	PVC4020011150
2 ^{1/2} x 11 ^{1/4}	PVC4025011150
3 x 11 ^{1/4}	PVC4030011150
3 ^{1/2} x 11 ^{1/4}	PVC4035011150
4 x 11 ^{1/4}	PVC4040011150
5 x 11 ^{1/4}	PVC4050011150
6 x 11 ^{1/4}	PVC4060011150



Special Radius & Split Bends Available



Schedule 80 Sweeps

90 Degree

Size x Degree	Radius				
	18"	24"	36"	48"	60"
1 x 90	PVC801009018	PVC801009024	PVC801009036	N/A	N/A
1 ^{1/4} x 90	PVC801259018	PVC801259024	PVC801259036	N/A	N/A
1 ^{1/2} x 90	PVC801509018	PVC801509024	PVC801509036	N/A	N/A
2 x 90	PVC802009018	PVC802009024	PVC802009036	PVC802009048	N/A
2 ^{1/2} x 90	N/A	PVC802509024	PVC802509036	PVC802509048	N/A
3 x 90	N/A	PVC803009024	PVC803009036	PVC803009048	N/A
4 x 90	N/A	PVC804009024	PVC804009036	PVC804009048	PVC804009060
5 x 90	N/A	N/A	PVC805009036	PVC805009048	PVC805009060
6 x 90	N/A	N/A	PVC806009036	PVC806009048	PVC806009060

45 Degree

Size x Degree	Radius				
	18"	24"	36"	48"	12 ^{1/2} "
1 x 45	PVC801004518	PVC801004524	N/A	N/A	N/A
1 ^{1/4} x 45	PVC801254518	PVC801254524	N/A	N/A	N/A
1 ^{1/2} x 45	PVC801504518	PVC801504524	N/A	N/A	N/A
2 x 45	N/A	PVC802004524	PVC802004536	PVC802004548	PVC8020045150
2 ^{1/2} x 45	N/A	PVC802504524	PVC802504536	PVC802504548	PVC8025045150
3 x 45	N/A	PVC803004524	PVC803004536	PVC803004548	PVC8030045150
4 x 45	N/A	N/A	PVC804004536	PVC804004548	PVC8040045150
5 x 45	N/A	N/A	PVC805004536	PVC805004548	PVC8050045150
6 x 45	N/A	N/A	PVC806004536	PVC806004548	PVC8060045150

PVC

Schedule 80 Sweeps

22.5 Degree

Size x Degree	Radius				
	18"	24"	36"	48"	12 ^{1/2} '
1 x 22 ^{1/2}	PVC801002218	PVC801002224	N/A	N/A	N/A
1 ^{1/4} x 22 ^{1/2}	PVC801252218	PVC801252224	N/A	N/A	N/A
1 ^{1/2} x 22 ^{1/2}	PVC801502218	PVC801502224	N/A	N/A	N/A
2 x 22 ^{1/2}	N/A	PVC802002224	PVC802002236	N/A	PVC8020022150
2 ^{1/2} x 22 ^{1/2}	N/A	PVC802502224	PVC802502236	N/A	PVC8025022150
3 x 22 ^{1/2}	N/A	PVC803002224	PVC803002236	PVC803002248	PVC8030022150
4 x 22 ^{1/2}	N/A	N/A	PVC804002236	PVC804002248	PVC8040022150
5 x 22 ^{1/2}	N/A	N/A	PVC805002236	PVC805002248	PVC8050022150
6 x 22 ^{1/2}	N/A	N/A	PVC806002236	PVC806002248	PVC8060022150

11.25 Degree

Size x Degree	Radius 12 ^{1/2} '
1 x 11 ^{1/4}	PVC8010011150
1 ^{1/4} x 11 ^{1/4}	PVC8012511150
1 ^{1/2} x 11 ^{1/4}	PVC8015011150
2 x 11 ^{1/4}	PVC8020011150
2 ^{1/2} x 11 ^{1/4}	PVC8025011150
3 x 11 ^{1/4}	PVC8030011150
4 x 11 ^{1/4}	PVC8040011150
5 x 11 ^{1/4}	PVC8050011150
6 x 11 ^{1/4}	PVC8060011150



Special Radius & Split Bends Available

Direct Burial Sweeps

To decipher the item number substitute the type of DB conduit for #.
 Example: CONDB603009024 represents a 3 inch, DB60, 90 degree sweep with a 24 inch radius

90 Degree

Size x Degree	Radius				
	18"	24"	36"	48"	60"
1" x 90	CONDB#1009018	CONDB#1009024	CONDB#1009036	CONDB#1009048	N/A
1 1/2" x 90	CONDB#1509018	CONDB#1509024	CONDB#1509036	CONDB#1509048	N/A
2" x 90	CONDB#2009018	CONDB#2009024	CONDB#2009036	CONDB#2009048	N/A
3" x 90	CONDB#3009018	CONDB#3009024	CONDB#3009036	CONDB#3009048	N/A
4" x 90	N/A	CONDB#4009024	CONDB#4009036	CONDB#4009048	CONDB#4009060
5" x 90	N/A	N/A	CONDB#5009036	CONDB#5009048	CONDB#5009060
6" x 90	N/A	N/A	CONDB#6009036	CONDB#6009048	CONDB#6009060

45 Degree

Size x Degree	Radius					
	18"	24"	36"	48"	60"	12 1/2'
1" x 45	CONDB#1004518	CONDB#1004524	CONDB#1004536	CONDB#1004548	N/A	N/A
1 1/2" x 45	CONDB#1504518	CONDB#1504524	CONDB#1504536	CONDB#1504548	N/A	CONDB#15045150
2" x 45	CONDB#2004518	CONDB#2004524	CONDB#2004536	CONDB#2004548	N/A	CONDB#20045150
3" x 45	N/A	CONDB#3004524	CONDB#3004536	CONDB#3004548	N/A	CONDB#30045150
4" x 45	N/A	CONDB#4004524	CONDB#4004536	CONDB#4004548	CONDB#4004560	CONDB#40045150
5" x 45	N/A	N/A	CONDB#5004536	CONDB#5004548	CONDB#5004560	CONDB#50045150
6" x 45	N/A	N/A	CONDB#6004536	CONDB#6004548	CONDB#6004560	CONDB#60045150

PVC

Direct Burial Sweeps

To decipher the item number substitute the type of DB conduit for #.
 Example: CONDB603002224 represents a 3 inch, DB60, 22.5 degree sweep with a 24 inch radius

22.5 Degree

Size x Degree	Radius					
	18"	24"	36"	48"	12 ^{1/2} '	25'
1" x 22 ^{1/2}	CONDB#1002218	CONDB#1002224	CONDB#1002236	N/A	N/A	N/A
1 1/2" x 22 ^{1/2}	CONDB#1502218	CONDB#1502224	CONDB#1502236	N/A	N/A	N/A
2" x 22 ^{1/2}	CONDB#2002218	CONDB#2002224	CONDB#2002236	N/A	CONDB#20022150	N/A
3" x 22 ^{1/2}	CONDB#3002218	CONDB#3002224	CONDB#3002236	CONDB#3002248	CONDB#30022150	CONDB#30022300
4" x 22 ^{1/2}	N/A	CONDB#4002224	CONDB#4002236	CONDB#4002248	CONDB#40022150	CONDB#40022300
5" x 22 ^{1/2}	N/A	N/A	CONDB#5002236	CONDB#5002248	CONDB#50022150	CONDB#50022300
6" x 22 ^{1/2}	N/A	N/A	CONDB#6002236	CONDB#6002248	CONDB#60022150	CONDB#60022300

11.25 Degree

Size x Degree	Radius			
	36"	48"	12 ^{1/2} '	25'
1" x 11 ^{1/4}	N/A	N/A	CONDB#10011150	N/A
1 1/2" x 11 ^{1/4}	N/A	N/A	CONDB#15011150	N/A
2" x 11 ^{1/4}	CONDB#2001136	N/A	CONDB#20011150	N/A
3" x 11 ^{1/4}	CONDB#3001136	N/A	CONDB#30011150	CONDB#30011300
4" x 11 ^{1/4}	CONDB#4001136	CONDB#4001148	CONDB#40011150	CONDB#40011300
5" x 11 ^{1/4}	N/A	CONDB#5001148	CONDB#50011150	CONDB#50011300
6" x 11 ^{1/4}	N/A	CONDB#6001148	CONDB#60011150	CONDB#60011300

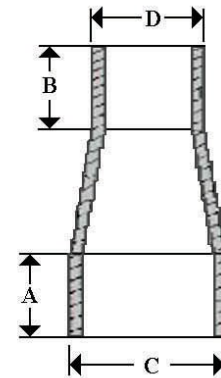


Special Radius & Split Bends Available

Fittings Schedule 40 Reducers

Size	Min. A	Min. B	Min. C	Aver. D	Item No.
3 x 2	3.250	2.125	3.500	2.375	PVC40300200
3 ^{1/2} x 2	3.375	2.125	4.000	2.375	PVC40350200
3 ^{1/2} x 3	3.375	3.250	4.000	3.500	PVC40350300
4 x 3	3.375	3.250	4.500	3.500	PVC40400300
4 x 3 ^{1/2}	3.375	3.375	4.500	4.000	PVC40400350
5 x 4	4.375	3.375	5.563	4.500	PVC40500400
6 x 5	5.375	4.375	6.625	5.563	PVC40600500

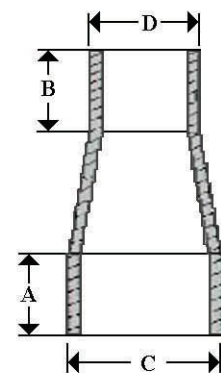
Swedge Reducers
Conforms to: ASTM F512



DB Reducers

Size	Min. A	Min. B	Min. C	Aver. D	Item No.
3 x 2	3.250	2.125	3.500	2.375	CONDB300200
3 ^{1/2} x 2	3.375	2.125	4.000	2.375	CONDB350200
3 ^{1/2} x 3	3.375	3.250	4.000	3.500	CONDB350300
4 x 3	3.375	3.250	4.500	3.500	CONDB400300
4 x 3 ^{1/2}	3.375	3.375	4.500	4.000	CONDB400350
5 x 4	4.375	3.375	5.563	4.500	CONDB500400
6 x 5	5.375	4.375	6.625	5.563	CONDB600500

Swedge Reducers
Conforms to: ASTM F512

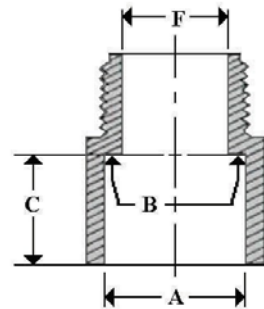


PVC

Fittings

PVC Terminal Adapters

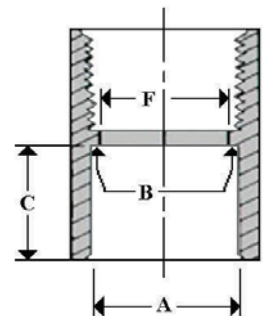
Size	Aver. A	Aver. B	Min. C	Min. F	Max. F	Item No.
1/2"	.852	.836	.652	.591	.622	PVC050MA
3/4"	1.064	1.046	.719	.783	.824	PVC075MA
1"	1.330	1.310	.875	.997	1.049	PVC100MA
1 1/4"	1.677	1.655	.938	1.311	1.380	PVC125MA
1 1/2"	1.918	1.894	1.062	1.529	1.610	PVC150MA
2"	2.393	2.369	1.125	1.964	2.067	PVC200MA
2 1/2"	2.890	2.868	1.469	2.346	2.469	PVC250MA
3"	3.515	3.492	1.594	2.915	3.068	PVC300MA
3 1/2"	4.015	3.992	1.687	3.371	3.548	PVC350MA
4"	4.515	4.491	1.750	3.825	4.028	PVC400MA
5"	5.593	5.553	1.937	4.795	5.047	PVC500MA
6"	6.658	6.614	2.125	5.762	6.065	PVC600MA



Conforms to
UL 514-B and
NEMA TC-3

PVC Female Adapters

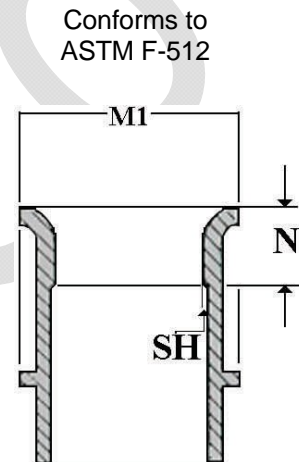
Size	Aver. A	Aver. B	Min. C	Min. F	Max. F	Item No.
1/2"	.852	.836	.652	.591	.622	PVC050FA
3/4"	1.064	1.046	.719	.783	.824	PVC075FA
1"	1.330	1.310	.875	.997	1.049	PVC100FA
1 1/4"	1.677	1.655	.938	1.311	1.380	PVC125FA
1 1/2"	1.918	1.894	1.062	1.529	1.610	PVC150FA
2"	2.393	2.369	1.125	1.964	2.067	PVC200FA
2 1/2"	2.890	2.868	1.469	2.346	2.469	PVC250FA
3"	3.515	3.492	1.594	2.915	3.068	PVC300FA
3 1/2"	4.015	3.992	1.687	3.371	3.548	PVC350FA
4"	4.515	4.491	1.750	3.825	4.028	PVC400FA
5"	5.593	5.553	1.937	4.795	5.047	PVC500FA
6"	6.658	6.614	2.125	5.762	6.065	PVC600FA



Conforms to
UL 514-B and
NEMA TC-3

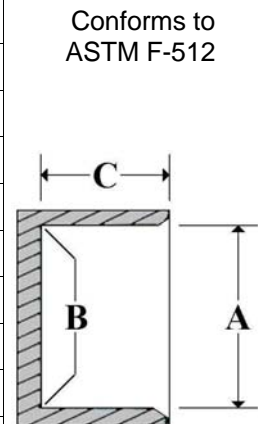
Fittings PVC End Bells

Size	M1, Max	SH, Max	N, Min	Item No.
2"	3 ^{7/64}	0.075	5/16	PVC200EB
3"	4 ^{1/8}	0.076	5/16	PVC300EB
3 ^{1/2} "	4 ^{5/8}	0.087	5/16	PVC350EB
4"	5 ^{11/32}	0.097	7/16	PVC400EB
5"	6 ^{13/32}	0.118	7/16	PVC500EB
6"	7 ^{13/32}	0.140	7/16	PVC600EB



PVC End Caps

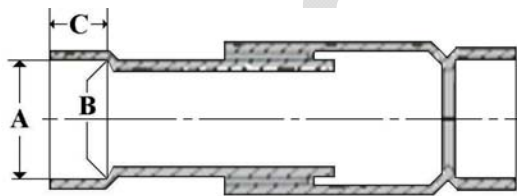
Size	Aver. A	Aver. B	Min. C	Item No.
1/2"	0.852	0.836	0.652	PVC050CAP
3/4"	1.064	1.046	0.719	PVC075CAP
1"	1.330	1.310	0.875	PVC100CAP
1 ^{1/4} "	1.667	1.655	0.938	PVC125CAP
1 ^{1/2} "	1.918	1.894	1.062	PVC150CAP
2"	2.393	2.369	1.125	PVC200CAP
3"	3.515	3.492	1.594	PVC300CAP
3 ^{1/2} "	4.015	3.992	1.687	PVC350CAP
4"	4.515	4.491	1.750	PVC400CAP
5"	5.593	5.553	1.937	PVC500CAP
6"	6.658	6.614	2.125	PVC600CAP



PVC

Fittings Expansion Couplings

Size	Lay Lengths			Stop to Stop Total Closed	Stop to Stop Total Open	Item No.
	A	B	C			
1/2"	.852	.840	1.437	8.00	12.00	PVC40050EXP
3/4"	1.064	1.050	1.703	8.00	12.00	PVC40075EXP
1"	1.330	1.315	2.031	8.50	12.50	PVC40100EXP
1 1/4"	1.677	1.660	2.156	9.00	13.00	PVC40125EXP
1 1/2"	1.918	1.900	2.281	9.00	13.00	PVC40150EXP
2"	2.393	2.375	2.406	9.25	13.25	PVC40200EXP
2 1/2"	2.890	2.875	3.187	9.25	13.25	PVC40250EXP
3"	3.515	3.500	3.437	14.25	22.25	PVC40300EXP
3 1/2"	4.015	4.000	3.625	14.25	22.25	PVC40350EXP
4"	4.515	4.500	3.750	14.25	22.25	PVC40400EXP
5"	5.592	5.524	3.937	18.50	24.50	PVC40500EXP
6"	6.644	6.581	4.935	20.50	26.50	PVC40600EXP



Conforms to ASTM F-512

*Fabricated fitting - conforms to NEMA TC-9; not UL Listed

5° Couplings

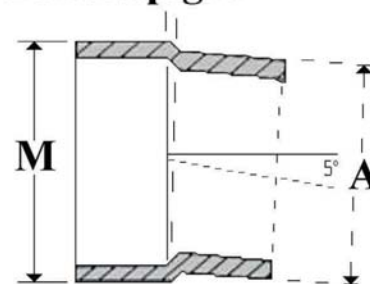
Size	Max. M	Aver. A	Item No.
2"	2 ^{9/16}	2.375	PVC40200200B
3"	3 ^{23/32}	3.500	PVC40300300B
4"	4 ^{51/64}	4.500	PVC40400400B
5"	5 ^{59/64}	5.563	PVC40500500B
6"	7 ^{1/64}	6.625	PVC40600600B

Duct Couplings

5° B x S

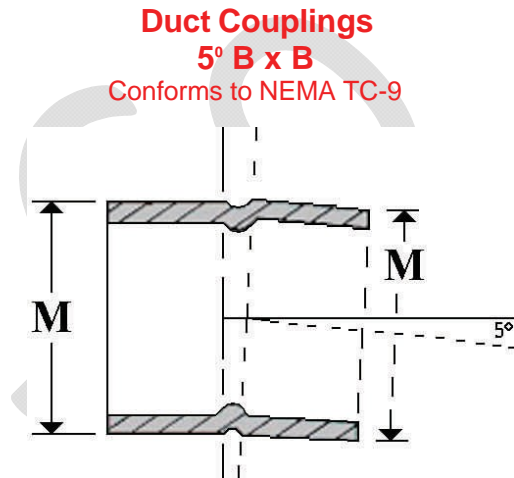
Conforms to NEMA TC-9

Bell x Spigot



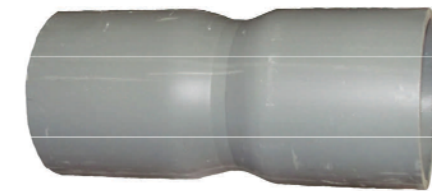
Fittings 5° Couplings

Size	Max. M	Item No.
2"	2 ^{9/16}	CONDB200CP5
3"	3 ^{23/32}	CONDB300CP5
4"	4 ^{51/64}	CONDB400CP5
5"	5 ^{59/64}	CONDB500CP5
6"	7 ^{1/64}	CONDB600CP5



Schedule 40 Swedged Boring Coupling (Fabricated)

All fittings for electrical applications conform to
NEMA TC-3 and UL 514 Utility Duct
NEMA TC-6, ASTM F-512



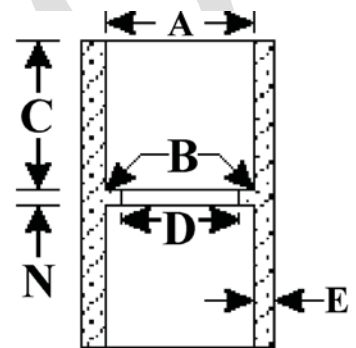
Size	Length	STD. PKG.	PKG. WT.	Item No.
2"	12"	20	14.60	PVC40200CPL
4"	17"	16	51.68	PVC40400CPL
5"	17"	10	44.20	PVC40500CPL
6"	17"	10	57.80	PVC40600CPL

PVC

Fittings

UL Couplings

All sizes conform to
UL 514-B and NEMA TC-3



Size	Aver. A	Aver. B	Min. C	N	Min. D	Min. E.	Item No.
1/2"	.852	.836	.652	3/32	.630	.095	PVC40050CP
3/4"	1.064	1.046	.719	3/32	.834	.095	PVC40075CP
1"	1.330	1.310	.875	3/32	1.059	.100	PVC40100CP
1 1/4"	1.677	1.655	.938	3/32	1.392	.120	PVC40125CP
1 1/2"	1.918	1.894	1.062	3/32	1.622	.120	PVC40150CP
2"	2.393	2.369	1.125	3/32	2.079	.130	PVC40200CP
2 1/2"	2.890	2.868	1.469	3/16	2.484	.165	PVC40250CP
3"	3.515	3.492	1.594	3/16	3.083	.216	PVC40300CP
3 1/2"	4.015	3.992	1.687	3/16	3.598	.226	PVC40350CP
4"	4.515	4.491	1.750	3/16	4.076	.237	PVC40400CP
5"	5.593	5.553	1.937	3/16	5.097	.258	PVC40500CP
6"	6.658	6.614	2.125	1/4	6.115	.280	PVC40600CP

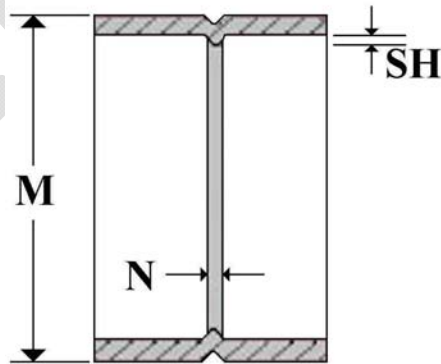
Fittings

Duct/Swedge Couplings

Made From DB100. Also available in 4" C Duct and 4" GTS-8342

Size	M1 MAX	SH, MAX	N, MIN	Item No.
2"	3 ^{47/64}	0.075	3/32	CONDB200CP
3"	4 ^{31/32}	0.076	7/64	CONDB300CP
3 1/2"	4 ^{1/2}	0.087	7/64	CONDB350CP
4"	5 ^{1/32}	0.097	7/64	CONDB400CP
5"	6 ^{1/4}	0.118	9/64	CONDB500CP
6"	7 ^{1/2}	0.140	9/64	CONDB600CP

Duct/Swedge Couplings
Conforms to: ASTM F512 and
NEMA TC-9

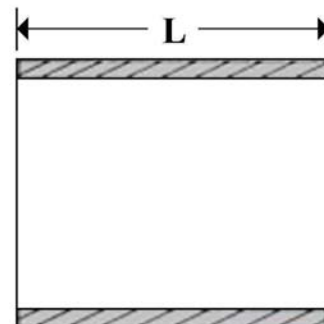


Repair Couplings

Made From DB100. Also available in 4" C Duct and 4" GTS-8342

Size	L	Item No.
2"	5.00	CONDB200CPS
3"	6.00	CONDB300CPS
4"	7.00	CONDB400CPS
5"	9.00	CONDB500CPS
6"	11.00	CONDB600CPS

Repair Couplings



PVC

Fittings

WYES

Size	DB	AT&T	Verizon	SCH 40	SCH 80
1"	CONDB100WYE	N/A	N/A	PVC40100WYE	PVC80100WYE
1 1/4"	N/A	N/A	N/A	PVC40125WYE	PVC80125WYE
1 1/2"	CONDB150WYE	N/A	N/A	PVC40150WYE	PVC80150WYE
2"	CONDB200WYE	N/A	N/A	PVC40200WYE	PVC80200WYE
2 1/2"	N/A	N/A	N/A	PVC40250WYE	PVC80250WYE
3"	CONDB300WYE	N/A	N/A	PVC40300WYE	PVC80300WYE
3 1/2"	CONDB350WYE	N/A	N/A	PVC40350WYE	PVC80350WYE
4"	CONDB400WYE	ATT400WYE	VER400WYE	PVC40400WYE	PVC80400WYE
5"	CONDB500WYE	N/A	N/A	PVC40500WYE	PVC80500WYE
6"	CONDB600WYE	N/A	N/A	PVC40600WYE	PVC80600WYE



**LAKE WYES ALSO
AVAILABLE**



Special & split WYES available

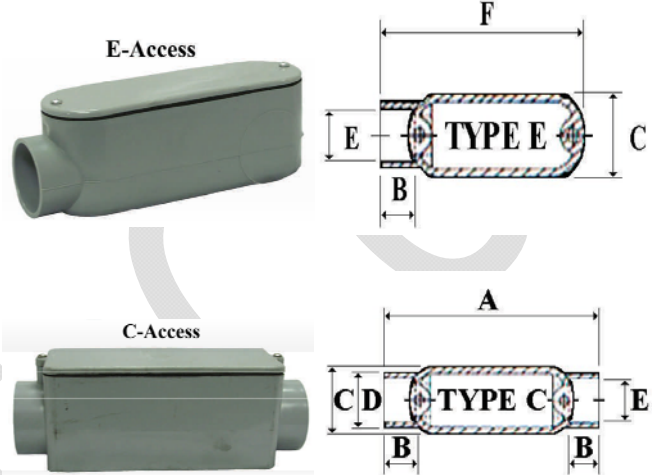
Access Fittings

E Access Fittings

Size	Item No.
1/2"	PVC050AFE
3/4"	PVC075AFE
1"	PVC100AFE
1 1/4"	PVC125AFE
1 1/2"	PVC150AFE
2"	PVC200AFE
2 1/2"	PVC250AFE
3"	PVC300AFE
3 1/2"	PVC350AFE
4"	PVC400AFE

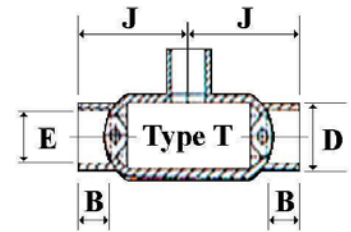
C Access Fittings

Size	Item No.
1/2"	PVC050AFC
3/4"	PVC075AFC
1"	PVC100AFC
1 1/4"	PVC125AFC
1 1/2"	PVC150AFC
2"	PVC200AFC
2 1/2"	PVC250AFC
3"	PVC300AFC
3 1/2"	PVC350AFC
4"	PVC400AFC



T Access Fittings

Size	Item No.
1/2"	PVC050AFT
3/4"	PVC075AFT
1"	PVC100AFT
1 1/4"	PVC125AFT
1 1/2"	PVC150AFT
2"	PVC200AFT
2 1/2"	PVC250AFT
3"	PVC300AFT
3 1/2"	PVC350AFT
4"	PVC400AFT



High tensile and impact strength.
Non-conductive and non-sparking.
Corrosion resistant.

CANTEX

Size	A	B	C	D	E	F	G	H	I	J
1/2"	5.606	.639	1.268	1.100	.840	4.337	4.095	1.297	2.487	2.280
3/4"	5.606	.810	1.536	1.325	1.050	5.395	4.095	1.297	2.487	2.803
1"	6.500	.910	1.700	1.600	1.335	6.250	4.750	1.500	2.075	3.250
1 1/4"	7.900	1.050	2.300	2.250	1.100	7.625	5.750	1.750	3.575	3.950
1 1/2"	8.500	1.125	2.675	2.250	1.900	8.250	6.500	1.750	3.938	4.250
2"	10.875	1.160	3.188	2.820	2.375	10.531	8.156	2.344	4.535	5.438
2 1/2"	14.600	1.750	4.500	3.950	2.870	13.630	10.897	3.805	6.240	7.300
3"	14.600	1.900	4.500	3.950	3.510	13.630	10.897	3.805	6.240	7.300
3 1/2"	17.040	2.125	5.536	5.000	4.000	16.000	11.465	4.535	7.500	8.535
4"	17.040	2.125	5.536	5.000	4.530	16.000	11.465	4.535	7.500	8.535

PVC

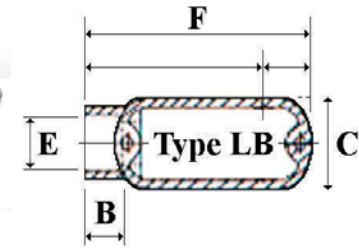
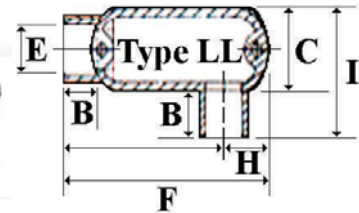
Access Fittings

LL Access Fittings

Size	Item No.
1/2"	PVC050AFLL
3/4"	PVC075AFLL
1"	PVC100AFLL
1 1/4"	PVC125AFLL
1 1/2"	PVC150AFLL
2"	PVC200AFLL
2 1/2"	PVC250AFLL
3"	PVC300AFLL
3 1/2"	PVC350AFLL
4"	PVC400AFLL

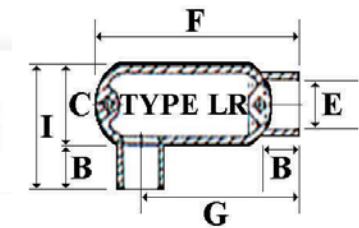
LB Access Fittings

Size	Item No.
1/2"	PVC050AFLB
3/4"	PVC075AFLB
1"	PVC100AFLB
1 1/4"	PVC125AFLB
1 1/2"	PVC150AFLB
2"	PVC200AFLB
2 1/2"	PVC250AFLB
3"	PVC300AFLB
3 1/2"	PVC350AFLB
4"	PVC400AFLB



LR Access Fittings

Size	Item No.
1/2"	PVC050AFLR
3/4"	PVC075AFLR
1"	PVC100AFLR
1 1/4"	PVC125AFLR
1 1/2"	PVC150AFLR
2"	PVC200AFLR
2 1/2"	PVC250AFLR
3"	PVC300AFLR
3 1/2"	PVC350AFLR
4"	PVC400AFLR

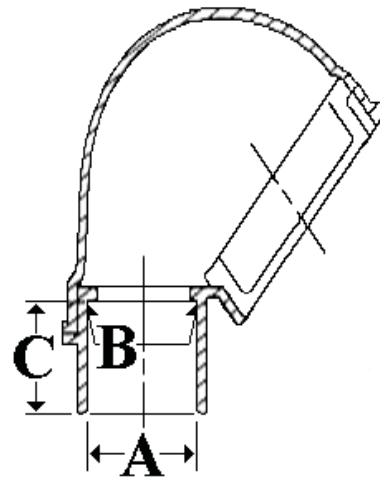
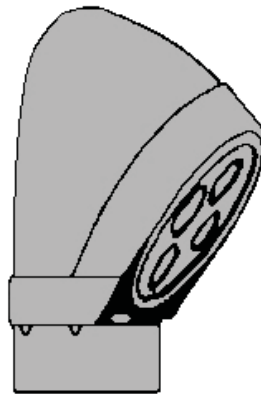


High tensile and impact strength.
Non-conductive and non-sparking.
Corrosion resistant.

CANTEX

Size	B	C	D	E	F	G	H	I
1/2"	.639	1.268	1.100	.840	4.337	4.095	1.297	2.487
3/4"	.810	1.536	1.325	1.050	5.395	4.095	1.297	2.487
1"	.910	1.700	1.600	1.335	6.250	4.750	1.500	2.075
1 1/4"	1.050	2.300	2.250	1.100	7.625	5.750	1.750	3.575
1 1/2"	1.125	2.675	2.250	1.900	8.250	6.500	1.750	3.938
2"	1.160	3.188	2.820	2.375	10.531	8.156	2.344	4.535
2 1/2"	1.750	4.500	3.950	2.870	13.630	10.897	3.805	6.240
3"	1.900	4.500	3.950	3.510	13.630	10.897	3.805	6.240
3 1/2"	2.125	5.536	5.000	4.000	16.000	11.465	4.535	7.500
4"	2.125	5.536	5.000	4.530	16.000	11.465	4.535	7.500

Service Entrance Fittings



Except as noted - *

Size	Aver. A	Aver. B	Aver. C	Item No.
1"	1.330	1.310	.875	PVC100SE
1 ¹ / ₄ "	1.677	1.655	.938	PVC125SE
1 ¹ / ₂ "	1.918	1.894	1.062	PVC150SE
2"	2.393	2.369	1.125	PVC200SE
2 ¹ / ₂ "	2.890	2.868	1.469	PVC250SE
3"	3.515	3.492	1.594	PVC300SE
3 ¹ / ₂ "	4.015	3.992	1.687	PVC350SE
4"	4.515	4.491	1.750	PVC400SE

PVC

Split Duct

- An economical, quick placement duct system
- Used for the following:
 - Repairing damaged cable ducting
 - Temporary shielding during excavation and construction
 - Rerouting, raising, or lowering existing duct banks
- Available in a wide range of diameters and conduit types
- Designed for easy assembly and watertight installation



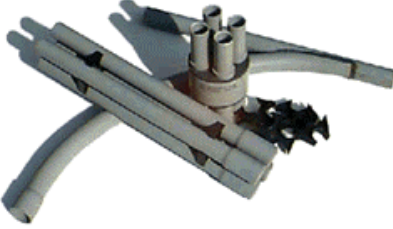
Quik-Duct Multi-Duct Conduit

Saf-T-Co Supply Proudly Introduces our newest line of fiber-optic cable management, **Quik-Duct**.

The Quik-Duct System is available in 3-way, 4-way, 6-way or 8-way configurations. Any combination can be made i.e., two 2" with two 1" 1/4 or 1" 1/2 etc. Functional and precise conduit runs for all your underground needs.



Quik-Duct utilizes spacers to create a precision alignment of the conduit system.



"Machined precision allows smoother joints every time..."



Our 4-way Quik-Duct system is available in a number of color combinations to fit your job's needs.



Shown to the left is our 4-way Quik-Duct system. Contact any of Saf-T-Co's professional representatives for a complete list of our unique product line.



Quik-Duct sweeps, fittings and accessories are available in standard and special sizes to facilitate easy installation.

Duct Type	Duct Size	Configuration	Item No.
Schedule 40	1 ^{1/4}	4 Way	PVC401254QD
Schedule 40	1 ^{1/2}	4 Way	PVC401504QD
Schedule 40	1 ^{1/4}	6 Way	PVC401256QD
Schedule 40	1 ^{1/2}	6 Way	PVC401506QD
Schedule 40	1 ^{1/4} & 2	4 Way	PVC401252004QD
Schedule 40	1 ^{1/2} & 2	4 Way	PVC401502004QD

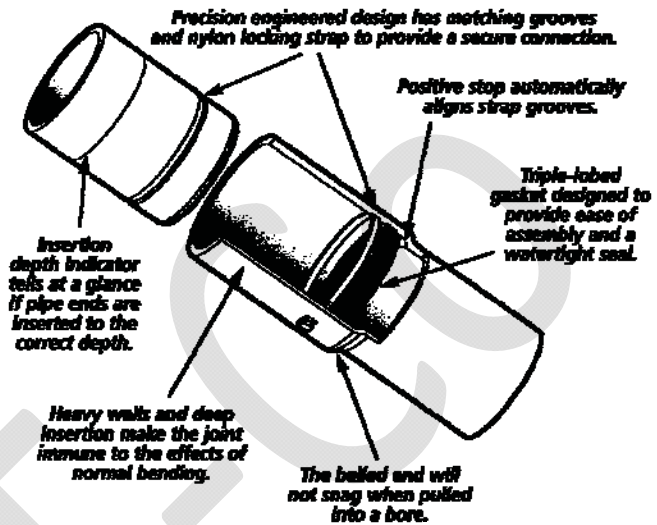
Prime Conduit Bore-Gard®

PVC Trenchless Raceway

Prime Conduit's PVC Bore-Gard conduit eliminates the costly problems of HDPE pipe on a reel such as reel handling, fusion welding, uncoiling and wasted pipe, safety hazards and additional job site labor.

Bore-Gard is designed and proven to meet the rigorous requirements of horizontal directional drilling for electrical and datacom applications.

The unique design incorporates a water-tight seal and locking ring that enables fast, cement-free assembly, strong enough for 1000 foot bores. Short lengths of 10 and 20 feet fit into the tightest spaces and can be easily transported to the job site. Simplify trenchless installations and lower you costs with Bore-Gard.



Features:

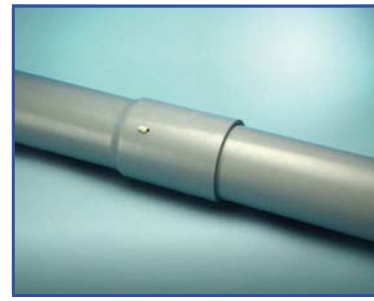
- True 3.0", 4.0", 5.0" and 6.0" I.D. for maximum cable/innerduct fill
- Easy to handle 10 and 20 foot lengths
- For bores up to 1000 ft
- Fast assembly
- Strong water-tight joints without cement
- Fits standard Schedule 40 fittings
- All nonmetallic construction
- Superior crush and stiffness over HDPE
- Eliminates the need for chains and backing plate installation



Locking ring enables fast, cement-free assembly.



Slide locking ring into the joint.



Fully assembled, the locking ring provides strong water-tight joints without cement.

Prime Conduit Bore-Gard®

PVC Trenchless Raceway

Item No.	Description	Length (ft.)	Dimensions O.D. (in.)	Dimensions I.D. (in.)	Pkg. Qty. (ft./bundle)	Bundles per Truck-load	Feet per Truckload	Wt. Per 100 ft. (lbs.)	Min. Bend Radius (ft.)	Seal Pressure Rating (P.S.I.)	Joint Pull Rating (lbs.)	UL Std. 651 & NEMA TC2 Min. Crush (lbs.)
PVC40300BG	3" Sch. 40 Bore-Gard	10	3.50	3.0	350	56	19,600	164	65	75	7,000	1,000
PVC40301BG	3" Sch. 40 Bore-Gard	20	3.50	3.0	700	28	19,600	164	65	75	7,000	1,000
PVC40400BG	4" Sch. 40 Bore-Gard	10	4.50	4.0	260	56	14,560	234	65	75	8,700	900
PVC40401BG	4" Sch. 40 Bore-Gard	20	4.50	4.0	520	28	14,560	234	65	75	8,700	900
PVC40500BG	5" Sch. 40 Bore-Gard	10	5.56	5.0	230	40	9,200	317	65	75	11,300	850
PVC40501BG	5" Sch. 40 Bore-Gard	20	5.56	5.0	460	20	9,200	317	65	75	11,300	850
PVC40600BG	6" Sch. 40 Bore-Gard	10	6.625	6.0	200	40	8,000	418	65	75	14,000	850
PVC40601BG	6" Sch. 40 Bore-Gard	20	6.625	6.0	400	20	8,000	418	65	75	14,000	850

1. Position Bore-Gard with the print line facing up.
2. Remove plastic locking strap and set it aside.
3. Remove end caps on first stick only, trim spigot end of Bore-Gard at the groove before attaching the pulling eye/gripping attachment.
4. Insert pulling eye into spigot end of Bore-Gard.
5. Tighten pulling eye so that it expands against the interior of the conduit. Use of sleeve over O.D. of conduit is recommended.
6. The installer should use appropriate instrumentation to insure that maximum pull rating is not exceeded.
7. Take next piece of Bore-Gard (10' or 20') and insert spigot end into belled end of the first piece until the insertion line is no longer visible.
8. Slide the plastic locking strap into slot on the side of the bell. Push the strap into slot on the side of the bell. Push the strap in completely. It is not necessary to remove or cover the handle on the strap.
9. Repeat with remaining sections as space allows.
10. Bore-Gard is now ready for installation.



Prime Conduit Bore-Gard®

PVC Trenchless Raceway

Top 10 Reasons to Use Bore-Gard

1. Lower Overall Installed Cost:

Bore-Gard® is the lowest cost solution for installing conduit in directionally drilled applications. When considering all of the advantages that Bore-Gard offers, it is obvious why so many have standardized on Bore-Gard. Leading contractors, Regional Bell Operating Companies, Independent Telcos, and Electrical Utilities are using Bore-Gard instead of HDPE to lower their costs when installing telecommunications and electrical conduit via directional drilling. Simpler handling, faster assembly, and lower labor cost all lead to increased productivity and lower overall costs as detailed in this document. Some contractors that use Bore-Gard have claimed to be able to do 2 to 3 bores in a day (versus only 1 bore per day with HDPE pipe) because of the time and labor savings Bore-Gard offers. Shouldn't you benefit from all of the advantages of Bore-Gard?

2. Lower Freight Cost:

A Truckload of 4" SDR 13.5 HDPE typically consists of ten 625 ft., 8 ft. diameter reels rendering only 6,250 ft. per truckload. A truckload of 4" Bore-Gard is 12,480 ft., twice that of HDPE, cutting the freight charges in half. For example, at a \$900 cost per flatbed truckload, the freight cost per foot for HDPE is \$0.14/ft. Bore-Gard is only \$0.07/ft. HDPE in a 6" diameter is typically offered in either 300 ft. or 500 ft. reels with a maximum truckload qty. of 1,800 to 2,000 feet. Bore-Gard 6" diameter is offered in 200 ft. and 400 ft. convenient bundles with a maximum truckload qty. of 8,000 ft. At a \$900 cost per flatbed truckload, the freight cost per foot for HDPE 6" is from \$0.45/ft to \$0.50/ft. Bore-Gard's 6" diameter is only \$0.11/ft., 75% lower than HDPE's freight cost.

3. Greater Internal Fill Capacity:

When wound on a reel, HDPE's cross-section is distorted into an oval. This reduces the internal capacity for innerducts or cable. In turn, this increases the overall installed cost because the capacity is lower than a truly circular duct. Further reducing the capacity of HDPE SDR 13.5 is the small 3.8inch inside diameter for the 4" nominal diameter, and 5.6 inches for the 6" diameter. Bore-Gard is superior in circularity and inside diameter. Bore-Gard is packaged in bundles, not wound on reels, so it does not collapse into an oval shape - it stays circular. In addition, the inside diameter is a true 3.0", 4.0", 5.0", and 6.0" inch size offering that enables more innerducts and cables to be placed. This results in lower installed costs and a more efficient conduit system.

4. No Wasted Product:

When using HDPE, the last several wraps are usually scrapped. This is because material closest to the core of the reel is oval in cross section due to it being wrapped so tightly. Once the HDPE conduit is no longer held in place by the metal bands, it is very difficult to remove from the reel. Bore-Gard is offered in convenient 10 ft. and 20 ft. lengths in standard conduit bundles. Combined with the ability to solvent cement Bore-Gard to other PVC systems, there is no wasted product.

5. Easier to Transport:

Offered in 10 ft. and 20 ft. lengths, Bore-Gard is easy to transport to and around the job site. One length of Bore-Gard can be carried by one person over the toughest terrain. This solves problems created by varied-terrain job sites for which a large, heavy reel of HDPE could not be used. Because fewer people and less time are required to move the product around, overall costs are reduced. This translates to getting more done in a day.

Prime Conduit, Inc.

Prime Conduit Bore-Gard®

PVC Trenchless Raceway Top 10 Reasons to Use Bore-Gard

6. Strong and Flexible for Directional Drilling:

Bore-Gard's highly engineered and field-proven joint design provides the strength required of the tightest bends in the toughest directional bore paths. It has been field proven for bores of 1,000 feet and longer. Single-, Double-, Triple-, even 30-pipe bores have been successfully installed using Bore-Gard. This strength is complemented by the pipe's unique flexibility that enables it to bend without compromising the internal diameter shape, size, or load bearing ability. This combination of strength and flexibility offers unparalleled performance for directional drilling installations.

7. Easily Adapts to PVC Fittings:

Unlike HDPE pipe that has to be fusion welded together using expensive equipment, Bore-Gard can be cemented to standard Schedule 40 PVC products. Bore-Gard is manufactured from PVC to Schedule 40 dimensions allowing sections to be easily solvent cemented to standard PVC fittings. This enables it to work economically and seamlessly with Prime Conduit's P&C Flex® Corrugated Flexible PVC Conduit, Standard Sweeps, and Transition Adapters. No other system is as easily adaptable as Bore-Gard.

8. No Reel-Handling Equipment:

HDPE is shipped wound on large reels. For example, 4" SDR 13.5 HDPE comes on 8 ft. diameter, 1,400 lb. reels. 6" SDR 13.5 HDPE comes on 10 ft. diameter, 1,500 lb. and 2,300 lb. reels. These large and heavy reels require the use of expensive reel handling trailers and other power equipment, such as backhoes, to transport the reels to and from the job site. Bore-Gard comes in convenient bundles in 10 ft. and 20 ft. lengths that can fit onto the horizontal drill rig trucks and trailers, keeping equipment and transportation costs to a minimum. Once at the job site, individual sticks can be unloaded by hand without any power equipment, minimizing labor and equipment costs.

9. No Fusion Splicing Equipment:

HDPE requires use of either a butt-fusion welder or an electro-fusion welder and special couplings to join two pipe sections. Fusion welder machines cost from \$14,000 to \$40,000 dependent on the range of pipe sizes they can weld. Bore-Gard is much more convenient as it does not require any fusion splicing equipment. Sections are joined together by one person's hand assembly. Tools or expensive equipment are not required. No other conduit system is simpler or faster.

10. No Costly Reels to Return:

The reels for HDPE pipe are large, heavy, and difficult to handle. After the pipe is used, the reels must be returned to the original manufacturer for reuse. First, the reels must be disassembled before return shipment, which requires expensive labor and transportation charges to be incurred by the contractor. Bore-Gard eliminates all of these problems. Packaged in convenient bundles, there are no extraordinary labor and reel return charges. Simplify your trenchless conduit installations by using Bore-Gard PVC Trenchless conduit.

Prime Conduit, Inc.

CertainTeed Certa-Com™ Conduit

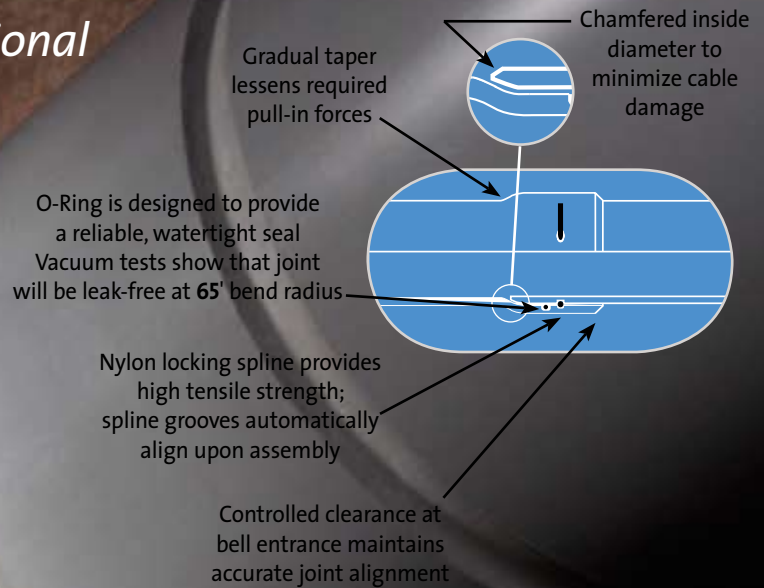
with CertainTeed's proven spline-lock restrained joint system

High Strength and Flexibility for Directional Drilling Applications

CertainTeed developed the spline-lock joining system over thirty years ago, and has successfully applied this technology in many demanding applications, including mining, irrigation, water well and trenchless water distribution systems.

Put this experience to work for you in your next trenchless conduit project.

NEMA TC-2



All the Advantages of the Contractor-Proven Certa-Lok™ PVC Joining System

- Lightweight and easy to handle
- Corrosion-resistant
- Engineered joint immediately achieves full strength in all weather conditions
- No solvent-cements required
- Eliminates the cost, handling, assembly, and wasted pipe problems associated with fused or coiled HDPE pipe
- 20' lengths facilitate rapid assembly and eliminate right-of-way requirements

CertainTeed 
Quality made certain. Satisfaction guaranteed.™

DIMENSIONS¹, WEIGHTS AND PERFORMANCE DATA

Size	O.D.	T min.	I.D at Min. Wall	Max. Tensile Pull ²		Recommended Minimum Bend		Joint Pressure Rating, psi	Approx. Weight lbs./ft.	BOD ⁵	C	X	W	D	P
				Straight ³	At 65' Bend Radius	Radius, ft.	% Change in Pitch per 10'								
3" SCH40	3.500	0.216	3.068	7,200	6,000	65	15.5%	80	1.38	3.98	5.25	3.00	0.375	.135	0.25
4" SCH40	4.500	0.237	4.026	11,900	9,000	75	13.4%	80	2.09	5.02	5.25	3.00	0.375	.135	0.25
5" SCH40	5.563	0.258	5.047	13,900	10,00	95	10.6%	80	2.83	6.10	5.25	3.00	0.375	.135	0.25
6" SCH40	6.625	0.280	6.065	16,700	12,000	115	8.7%	80	3.67	7.24	5.25	3.00	0.375	.135	0.25

NOTES:

- All dimensions are in inches and are subject to normal manufacturing tolerances.
- Based on UL witnessed testing in accordance with Sections 21 and 22 of UL Safety Standard 651 - an appropriate safety factor must be applied during pullback; use rig instrumentation to insure that this target pulling load is not exceeded.
- Value shown is effective end load at failure developed as a result of pressure and/or pulling.
- All UL tests indicate joint is leak-free at a 65' minimum bend radius
- Borehole should be backreamed to a minimum of 1.5 * Bell O.D.

PACKAGING

Size	Part Number	Ft. per Fast-Pak	Fast-Paks per Truckload	Ft. per Truckload
3" SCH40	667015	920	28	25,760
4" SCH40	667039	580	28	16,240
5" SCH40	667046	460	24	11,040
6" SCH40	667053	400	20	8,000

NOTE: Standard overall length is 20'.

ACCESSORIES

Size	Extra Splines		Extra O-Rings	
	Part Number	Cross Section	Part Number	Cross Section
3" SCH40	864889*	0.250" square	861604	0.139
4" SCH40	864889	0.250" square	861239	0.210
5" SCH40	864889	0.250" square	861246	0.210
6" SCH40	865060	0.250" square	861253	0.210

NOTE: Sufficient splines and O-rings are shipped with each Fast-Pak of pipe.

*The spline needs to be trimmed after insertion as it will stick out about 6"

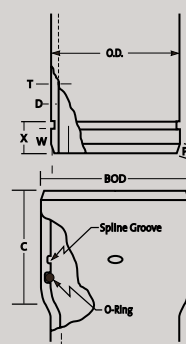
SPLINE INSERTION TOOL

For Pipe Size	Part Number
3" - 6"	707964



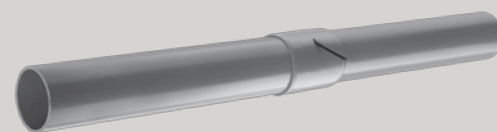
JOINT ASSEMBLY

- Clean out ring groove in the belled-end with soap and water and insert the O-ring.
- Align the bells with the spline entry holes facing in a direction (generally up) to facilitate easy spline insertion.
- Clean the installed ring and the spigot end with soap and water – assemble joint and insert spline through entry hole in bell until it wraps completely around the conduit. Cut-off the excess spline. **Note:** In extreme cold-weather conditions, splines should be kept relatively warm in the truck-cab or elsewhere until just prior to use.
- Joints should be assembled one-at-a-time as pullback continues – this lessens load during pullback, and minimizes the length of strung-out pipe that can create traffic disruptions.



PULLER HEAD INSTALLATION

NOTE: Cut off pipe at least 2" behind spline groove before attaching pulling eye. Tighten pulling eye in accordance with manufacturer's recommendations. Do not overtighten.



buildingresponsibly™

Building Responsibly with PVC Pipe

- PVC resin starts with two simple building blocks: chlorine (57%) from common salt, a plentiful and inexhaustible raw material, and ethylene (43%) from natural gas. Most of the natural gas utilized to manufacture ethylene is domestically produced, which reduces consumption of imported oil products.
- PVC Pipe manufacturing is an extremely efficient process. The ability to immediately return scrap and off-specification materials (regrind) directly into the manufacturing process results in virtually no manufacturing waste.
- PVC pipes are completely recyclable and consume less energy to produce than alternative pipes
- Considering equipment utilization and reduced traffic disruption, trenchless construction methods using restrained-joint PVC pipe results in significantly lower carbon outputs compared to conventional open-cut methods.

Galvanized Rigid Conduit



Conforms To: C80.1 - UL 6
ANSI C-80.1

Size	UL Min. WGT. Per 100 Feet in LBS. INCL. CP.	O.D.	I.D.	Thickness	Threads Per Inch	Feet Per Lift	Color Code Thread Protector	Item No.
1/2"	79	.840	.632	.104	14	2,500	Black	GL050
3/4"	105	1.050	.836	.107	14	2,000	Red	GL075
1"	153	1.315	1.063	.126	11 ^{1/2}	1,250	Blue	GL100
1 ^{1/4} "	201	1.660	1.394	.133	11 ^{1/2}	900	Red	GL125
1 ^{1/2} "	249	1.900	1.624	.138	11 ^{1/2}	800	Black	GL150
2"	332	2.375	2.083	.146	11 ^{1/2}	600	Blue	GL200
2 ^{1/2} "	527	2.875	2.489	.193	8	370	Black	GL250
3"	682	3.500	3.090	.205	8	300	Blue	GL300
3 ^{1/2} "	831	4.000	3.570	.215	8	250	Black	GL350
4"	972	4.500	4.026	.225	8	200	Blue	GL400
5"	1,314	5.563	5.073	.245	8	150	Blue	GL500
6"	1,745	6.625	6.093	.266	8	100	Blue	GL600



RepublicConduit



Steel

Electrical Metallic Tubing



Conforms To: C80.3 - UL 797
Article 348 - WW-C-563A
Article 250-91b - RN 2-1987

Size	Approx. WT per 1000 FT.	Diameter Inside	Diameter Outside	Wall Thickness	Feet per Unit Bundle	Feet per Standard Lift	Weight per Standard Lift	Item No.
1/2"	295 lbs.	0.622	0.706	0.042	100	7000	2065	EMT050
3/4"	445 lbs.	0.824	0.922	0.049	100	5000	2225	EMT075
1"	650 lbs.	1.049	1.163	0.057	100	3000	1950	EMT100
1 1/4"	960 lbs.	1.380	1.510	0.065	50	2000	1920	EMT125
1 1/2"	1110 lbs.	1.610	1.740	0.065	50	1500	1665	EMT150
2"	1410 lbs.	2.067	2.197	0.065	30	1200	1692	EMT200
2 1/2"	2300 lbs.	2.731	2.875	0.072	1	610	1403	EMT250
3"	2700 lbs.	3.356	3.500	0.072	1	510	1377	EMT300
3 1/2"	3260 lbs.	3.834	4.000	0.083	1	370	1206	EMT350
4"	4000 lbs.	4.334	4.500	0.083	1	300	1200	EMT400



RepublicConduit

Intermediate Metal Conduit



Conforms To: C80.6 - UL 1242
Article 345

Size	Diameter Outside	Diameter Inside	Wall Thickness	LBS. per 100FT. With Coupling	Threads Per Inch	Length of Thread	Feet Per Lift	Color Code Thread Protector	Item No.
1/2"	0.815	0.675	0.070	65	14	0.78	3,500	Yellow	IMC050
3/4"	1.029	0.879	0.075	92	14	0.79	2,500	Green	IMC075
1"	1.290	1.120	0.085	120	11 ^{1/2}	0.98	1,700	Orange	IMC100
1 ^{1/4} "	1.638	1.468	0.085	153	11 ^{1/2}	1.01	1,350	Green	IMC125
1 ^{1/2} "	1.883	1.703	0.090	188	11 ^{1/2}	1.03	1,100	Yellow	IMC150
2"	2.360	2.170	0.095	251	11 ^{1/2}	1.06	800	Orange	IMC200
2 ^{1/2} "	2.857	2.597	0.140	422	8	1.57	370	Yellow	IMC250
3"	3.476	3.216	0.140	520	8	1.63	300	Orange	IMC300
3 ^{1/2} "	3.971	3.711	0.140	605	8	1.68	240	Yellow	IMC350
4"	4.466	4.206	0.140	674	8	1.73	240	Orange	IMC400



RepublicConduit



Steel

PVC Coated Electrical Conduit with Urethane Interior Coating

- 40 mil PVC exterior coating
- Urethane interior coating
- Clear coated urethane over hot galvanized threads
- 12 trade sizes from 1/2" to 6"
- Shipped in 10' lengths w/color coded plastic threads protectors
- UL listed - Restricted for use with threaded fittings only

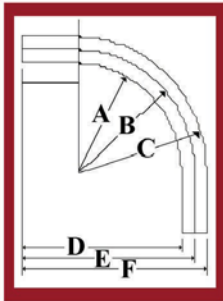


Size	Wall Thickness	O.D. W/Coating	I.D.	Internal Traverse Area Sq.	Item No.
1/2"	.104	.920	0.632	0.314	GL050C
3/4"	.107	1.130	0.836	0.549	GL075C
1"	.126	1.395	1.063	0.887	GL100C
1 ^{1/4} "	.133	1.740	1.394	1.526	GL125C
1 ^{1/2} "	.138	1.980	1.624	2.071	GL150C
2"	.146	2.455	2.083	3.408	GL200C
2 ^{1/2} "	.193	2.955	2.489	4.866	GL250C
3"	.205	3.580	3.090	7.499	GL300C
3 ^{1/2} "	.215	4.080	3.570	10.010	GL350C
4"	.225	4.580	4.050	12.882	GL400C
5"	.245	5.643	5.073	20.212	GL500C
6"	.266	6.705	6.093	29.158	GL600C



PVC Coated Electrical Conduit Elbows with Urethane Interior Coating

Factory bent elbows are in stock and ready to ship. Factory bent elbows are more accurate, quicker to install and more economical because they save field bending time and do not waste materials.



- 40 mil PVC exterior coating
- Urethane interior coating
- Urethane coating over threads
- 12 trade sizes from 1/2" through 6"
- Available in 90, 60, 45, and 30 degree bends



To decipher the item number substitute the degree of bend for #.
Example: GL05090ELC represents a GRC Coated, 1/2 inch, 90 degree standard elbow

Size	Diameters		Nipple Length	Radius			Offset			Item No.
	External	Internal		A	B	C	D	E	F	
1/2"	0.920	0.632	11 ^{1/4"}	3.79	4.25	4.71	6.040	6.500	6.960	GL050#ELC
3/4"	1.130	0.836	12 ^{1/2"}	3.94	4.50	5.07	6.685	7.250	7.815	GL075#ELC
1"	1.395	1.063	14 ^{3/4"}	5.05	5.75	6.45	7.928	8.625	9.323	GL100#ELC
1 ^{1/4"}	1.740	1.394	17 ^{3/4"}	6.38	7.25	8.12	9.567	10.437	11.307	GL125#ELC
1 ^{1/2"}	1.980	1.624	19 ^{3/4"}	7.26	8.25	9.24	10.635	11.625	12.615	GL150#ELC
2"	2.455	2.083	22 ^{1/2"}	8.27	9.50	10.73	12.086	13.313	14.541	GL200#ELC
2 ^{1/2"}	2.955	2.489	28"	9.02	10.50	11.98	14.776	16.253	17.731	GL250#ELC
3"	3.580	3.080	32"	11.21	13.00	14.79	17.000	18.790	20.580	GL300#ELC
3 ^{1/2"}	4.080	3.570	39 ^{1/2"}	12.96	15.00	17.04	20.920	22.960	25.000	GL350#ELC
4"	4.580	4.050	39 ^{1/2"}	13.71	16.00	18.29	20.890	23.180	25.470	GL400#ELC
5"	5.643	5.073	59 ^{1/2"}	21.18	24.00	26.82	32.079	34.900	37.722	GL500#ELC
6"	6.705	6.093	76"	26.65	30.00	33.35	41.088	44.440	47.793	GL600#ELC

Steel

PVC Coated Electrical Conduit Sweeps with Urethane Interior Coating

90 Degree

Size x Degree	Radius				
	18"	24"	36"	48"	60"
1 x 90	GL1009018C	GL1009024C	GL1009036C	N/A	N/A
1 ^{1/4} x 90	GL1259018C	GL1259024C	GL1259036C	N/A	N/A
1 ^{1/2} x 90	GL1509018C	GL1509024C	GL1509036C	N/A	N/A
2 x 90	GL2009018C	GL2009024C	GL2009036C	GL2009048C	N/A
2 ^{1/2} x 90	N/A	GL2509024C	GL2509036C	GL2509048C	N/A
3 x 90	N/A	GL3009024C	GL3009036C	GL3009048C	N/A
3 ^{1/2} x 90	N/A	GL3509024C	GL3509036C	GL3509048C	N/A
4 x 90	N/A	GL4009024C	GL4009036C	GL4009048C	GL4009060C
5 x 90	N/A	N/A	GL5009036C	GL5009048C	GL5009060C
6 x 90	N/A	N/A	GL6009036C	GL6009048C	GL6009060C

45 Degree

Size x Degree	Radius				
	18"	24"	36"	48"	12 ^{1/2} '
1 x 45	GL1004518C	GL1004524C	N/A	N/A	N/A
1 ^{1/4} x 45	GL1254518C	GL1254524C	N/A	N/A	N/A
1 ^{1/2} x 45	GL1504518C	GL1504524C	N/A	N/A	N/A
2 x 45	N/A	GL2004524C	GL2004536C	GL2004548C	GL20045150C
2 ^{1/2} x 45	N/A	GL2504524C	GL2504536C	GL2504548C	GL25045150C
3 x 45	N/A	GL3004524C	GL3004536C	GL3004548C	GL30045150C
3 ^{1/2} x 45	N/A	N/A	GL3504536C	GL3504548C	GL35045150C
4 x 45	N/A	N/A	GL4004536C	GL4004548C	GL40045150C
5 x 45	N/A	N/A	GL5004536C	GL5004548C	GL50045150C
6 x 45	N/A	N/A	GL6004536C	GL6004548C	GL60045150C

PVC Coated Electrical Conduit Sweeps with Urethane Interior Coating

22.5 Degree

Size x Degree	Radius				
	18"	24"	36"	48"	12 ^{1/2} '
1 x 22 ^{1/2}	GL1002218C	GL1002224C	N/A	N/A	N/A
1 ^{1/4} x 22 ^{1/2}	GL1252218C	GL1252224C	N/A	N/A	N/A
1 ^{1/2} x 22 ^{1/2}	GL1502218C	GL1502224C	N/A	N/A	N/A
2 x 22 ^{1/2}	N/A	GL2002224C	GL2002236C	N/A	GL20022150C
2 ^{1/2} x 22 ^{1/2}	N/A	GL2502224C	GL2502236C	N/A	GL25022150C
3 x 22 ^{1/2}	N/A	GL3002224C	GL3002236C	GL3002248C	GL30022150C
3 ^{1/2} x 22 ^{1/2}	N/A	N/A	GL3502236C	GL3502248C	GL35022150C
4 x 22 ^{1/2}	N/A	N/A	GL4002236C	GL4002248C	GL40022150C
5 x 22 ^{1/2}	N/A	N/A	GL5002236C	GL5002248C	GL50022150C
6 x 22 ^{1/2}	N/A	N/A	GL6002236C	GL6002248C	GL60022150C

11.25 Degree

Size x Degree	Radius 12 ^{1/2} '
1 x 11 ^{1/4}	GL10011150C
1 ^{1/4} x 11 ^{1/4}	GL12511150C
1 ^{1/2} x 11 ^{1/4}	GL15011150C
2 x 11 ^{1/4}	GL20011150C
2 ^{1/2} x 11 ^{1/4}	GL25011150C
3 x 11 ^{1/4}	GL30011150C
3 ^{1/2} x 11 ^{1/4}	GL35011150C
4 x 11 ^{1/4}	GL40011150C
5 x 11 ^{1/4}	GL50011150C
6 x 11 ^{1/4}	GL60011150C



Special Radius Bends Available

Steel

PVC Coated Electrical Conduit Couplings with Urethane Interior Coating

Couplings are straight tapped. Tolerance, thread length $\cong + 1$ thread.

- 40 mil PVC exterior coating
- Urethane interior coating over electroplated threads
- 12 trade sizes from 1/2" through 6"
- Sealing sleeves on all conduit openings
- Molded external ribs prevent tool damage



Size	O.D. w/Ribs	Threads Per Inch	Item No.
1/2"	1.344	14	GL050CPC
3/4"	1.531	14	GL075CPC
1"	1.781	11 ^{1/2}	GL100CPC
1 1/4"	2.156	11 ^{1/2}	GL125CPC
1 1/2"	2.469	11 ^{1/2}	GL150CPC
2"	2.969	11 ^{1/2}	GL200CPC
2 1/2"	3.594	8	GL250CPC
3"	4.250	8	GL300CPC
3 1/2"	4.875	8	GL350CPC
4"	5.250	8	GL400CPC
5"	6.080	8	GL500CPC
6"	7.280	8	GL600CPC



Steel

GRC Standard Radius Elbows



Conforms To: C80.1 - UL 6
ANSI C-80.1



Size	Weight Per 100 in LBS.	Elbows						Color Code Thread Protector
		Radius Inches	Offset Inches	90 Degree Item No.	45 Degree Item No.	30 Degree Item No.	22 ^{1/2} Degree Item No.	
1/2"	82	4.000	6.500	GL05090EL	GL05045EL	GL05030EL	GL05022EL	Black
3/4"	109	4.500	7.250	GL07590EL	GL07590EL	GL07530EL	GL07522EL	Red
1"	201	5.750	8.750	GL10090EL	GL10045EL	GL10030EL	GL10022EL	Blue
1 ^{1/4} "	313	7.250	10.500	GL12590EL	GL12545EL	GL12530EL	GL12522EL	Red
1 ^{1/2} "	441	8.250	11.750	GL15090EL	GL15045EL	GL15030EL	GL15022EL	Black
2"	707	9.500	13.500	GL20090EL	GL20045EL	GL20030EL	GL20022EL	Blue
2 ^{1/2} "	1711	10.500	15.000	GL25090EL	GL25045EL	GL25030EL	GL25022EL	Black
3"	1850	13.000	18.000	GL30090EL	GL30045EL	GL30030EL	GL30022EL	Blue
3 ^{1/2} "	2979	15.000	20.500	GL35090EL	GL35045EL	GL35030EL	GL35022EL	Black
4"	3528	16.000	22.000	GL40090EL	GL40045EL	GL40030EL	GL40022EL	Blue
5"	6575	24.000	31.000	GL50090EL	GL50045EL	GL50030EL	GL50022EL	Blue
6"	9645	30.000	37.500	GL60090EL	GL60045EL	GL60030EL	GL60022EL	Blue

**Note: Weights shown are approximate for 90 degree elbows. To arrive at weights for 45 degree elbows deduct 15%.*



CONDUIT

pipe products, co.

Steel

GRC Sweeps



90 Degree

Size x Degree	Radius				
	18"	24"	36"	48"	60"
1 x 90	GL1009018	GL1009024	GL1009036	N/A	N/A
1 ^{1/4} x 90	GL1259018	GL1259024	GL1259036	N/A	N/A
1 ^{1/2} x 90	GL1509018	GL1509024	GL1509036	N/A	N/A
2 x 90	GL2009018	GL2009024	GL2009036	GL2009048	N/A
2 ^{1/2} x 90	N/A	GL2509024	GL2509036	GL2509048	N/A
3 x 90	N/A	GL3009024	GL3009036	GL3009048	N/A
4 x 90	N/A	GL4009024	GL4009036	GL4009048	GL4009060
5 x 90	N/A	N/A	GL5009036	GL5009048	GL5009060
6 x 90	N/A	N/A	GL6009036	GL6009048	GL6009060

45 Degree

Size x Degree	Radius				
	18"	24"	36"	48"	12 ^{1/2} '
1 x 45	GL1004518	GL1004524	N/A	N/A	N/A
1 ^{1/4} x 45	GL1254518	GL1254524	N/A	N/A	N/A
1 ^{1/2} x 45	GL1504518	GL1504524	N/A	N/A	N/A
2 x 45	N/A	GL2004524	GL2004536	GL2004548	GL20045150
2 ^{1/2} x 45	N/A	GL2504524	GL2504536	GL2504548	GL25045150
3 x 45	N/A	GL3004524	GL3004536	GL3004548	GL30045150
4 x 45	N/A	N/A	GL4004536	GL4004548	GL40045150
5 x 45	N/A	N/A	GL5004536	GL5004548	GL50045150
6 x 45	N/A	N/A	GL6004536	GL6004548	GL60045150



Steel

GRC Sweeps

22.5 Degree

Size x Degree	Radius				
	18"	24"	36"	48"	12 ^{1/2} '
1 x 22 ^{1/2}	GL1002218	GL1002224	N/A	N/A	N/A
1 ^{1/4} x 22 ^{1/2}	GL1252218	GL1252224	N/A	N/A	N/A
1 ^{1/2} x 22 ^{1/2}	GL1502218	GL1502224	N/A	N/A	N/A
2 x 22 ^{1/2}	N/A	GL2002224	GL2002236	N/A	GL20022150
2 ^{1/2} x 22 ^{1/2}	N/A	GL2502224	GL2502236	N/A	GL25022150
3 x 22 ^{1/2}	N/A	GL3002224	GL3002236	GL3002248	GL30022150
3 ^{1/2} x 22 ^{1/2}	N/A	N/A	GL3502236	GL3502248	GL35022150
4 x 22 ^{1/2}	N/A	N/A	GL4002236	GL4002248	GL40022150
5 x 22 ^{1/2}	N/A	N/A	GL5002236	GL5002248	GL50022150
6 x 22 ^{1/2}	N/A	N/A	GL6002236	GL6002248	GL60022150

11.25 Degree

Size x Degree	Radius
	12 ^{1/2} '
1 x 11 ^{1/4}	GL10011150
1 ^{1/4} x 11 ^{1/4}	GL12511150
1 ^{1/2} x 11 ^{1/4}	GL15011150
2 x 11 ^{1/4}	GL20011150
2 ^{1/2} x 11 ^{1/4}	GL25011150
3 x 11 ^{1/4}	GL30011150
3 ^{1/2} x 11 ^{1/4}	GL35011150
4 x 11 ^{1/4}	GL40011150
5 x 11 ^{1/4}	GL50011150
6 x 11 ^{1/4}	GL60011150



**Special Radius
Bends Available**

Steel

Galvanized Nipples

Length Trade Size	Length (in.)	Close Standard Carton Quantity	Weight Per 100 lbs.	1 1/2"		2"		2 1/2"		3"	
				Standard Carton Quantity	Weight Per 100 lbs.	Standard Carton Quantity	Weight Per 100 lbs.	Standard Carton Quantity	Weight Per 100 lbs.	Standard Carton Quantity	Weight Per 100 lbs.
1/2"	1 1/8	25	6	25	8	25	12	25	15	25	19
3/4"	1 3/8	25	9	N/A	N/A	25	14	25	19	25	24
1"	1 1/2	25	16	-	-	N/A	N/A	25	28	25	36
1 1/4"	1 5/8	25	22	-	-	N/A	N/A	N/A	N/A	N/A	N/A
1 1/2"	1 3/4	25	28	-	-	N/A	N/A	N/A	N/A	N/A	N/A
2"	2	25	44	-	-	-	-	N/A	N/A	N/A	N/A
2 1/2"	2 3/4	Bulk	84	-	-	-	-	-	-	N/A	N/A
3"	2 5/8	Bulk	118	-	-	-	-	-	-	N/A	N/A
3 1/2"	2 3/4	Bulk	160	-	-	-	-	-	-	-	-
4"	2 7/8	Bulk	180	-	-	-	-	-	-	-	-
5"	3	Bulk	240	-	-	-	-	-	-	-	-
6"	N/A	N/A	N/A	-	-	-	-	-	-	-	-

Length Trade Size	4"		6"		8"		10"		12"	
	Standard Carton Quantity	Weight Per 100 lbs.	Standard Carton Quantity	Weight Per 100 lbs.	Standard Carton Quantity	Weight Per 100 lbs.	Standard Carton Quantity	Weight Per 100 lbs.	Standard Carton Quantity	Weight Per 100 lbs.
1/2"	25	26	N/A	N/A	N/A	N/A	25	68	N/A	N/A
3/4"	25	34	N/A	N/A	25	73	25	89	25	109
1"	N/A	N/A	25	78	25	109	25	138	25	166
1 1/4"	25	66	25	100	25	136	25	176	25	216
1 1/2"	25	80	25	122	25	170	25	216	12	260
2"	25	103	25	160	12	220	12	285	12	335
2 1/2"	25	150	Bulk	240	Bulk	329	Bulk	422	Bulk	505
3"	Bulk	200	Bulk	300	Bulk	411	Bulk	528	Bulk	630
3 1/2"	Bulk	240	Bulk	373	Bulk	510	Bulk	655	Bulk	785
4"	Bulk	285	Bulk	440	Bulk	600	Bulk	775	Bulk	925
5"	-	-	Bulk	600	Bulk	825	Bulk	1055	Bulk	1260
6"	-	-	N/A	N/A	Bulk	1125	N/A	N/A	Bulk	1720

Steel

GRC Threaded Couplings



Conforms To: C80.1 - UL 6
ANSI C-80.1

Size	Weight Per 100 In LBS.	Threaded Protector Color Code	Item No.
1/2"	11.6	Black	GL050CP
3/4"	17.0	Red	GL075CP
1"	30.0	Blue	GL100CP
1 1/4"	37.0	Red	GL125CP
1 1/2"	51.5	Black	GL150CP
2"	67.1	Blue	GL200CP
2 1/2"	167.5	Black	GL250CP
3"	209.5	Blue	GL300CP
3 1/2"	340.0	Black	GL350CP
4"	383.9	Blue	GL400CP
5"	446.2	Blue	GL500CP
6"	728.2	Blue	GL600CP



Steel

GRC Couplings

Compression Couplings

Size	Unit Ctn. Qty.	Ship Ctn. Qty.	Item No.
1/2"	25	100	GL050COMPCP
3/4"	10	50	GL075COMPCP
1"	5	25	GL100COMPCP
1 1/4"	5	25	GL125COMPCP
1 1/2"	N/A	5	GL150COMPCP
2"	N/A	5	GL200COMPCP
2 1/2"	N/A	5	GL250COMPCP
3"	N/A	1	GL300COMPCP
3 1/2"	N/A	1	GL350COMPCP
4"	N/A	1	GL400COMPCP



- Concrete-tight seal at the joint
- Use on closely spaced conduit
- Use on conduit that is tight against ceiling, wall, or other obstructions
- Use where conduit cannot be rotated

Split Couplings

Size	Length	Max. Width	Diameter	Unit Ctn. Qty.	Ship Ctn. Qty.	Item No.
1/2"	1 1/4	1 3/4	1 1/8	25	100	GL050CPSP
3/4"	1 1/4	2	1 5/16	20	100	GL075CPSP
1"	1 5/8	2 5/8	1 3/4	10	50	GL100CPSP
1 1/4"	1 5/8	2 5/8	2 1/8	10	50	GL125CPSP
1 1/2"	2	3 1/4	2 3/8	10	50	GL150CPSP
2"	2 1/16	3 1/2	2 3/4	5	25	GL200CPSP
2 1/2"	3 1/16	4 1/2	3 3/8	2	10	GL250CPSP
3"	3 3/16	5	4	2	10	GL300CPSP
3 1/2"	3 1/4	5 3/4	4 9/16	1	5	GL350CPSP
4"	3 3/8	6 1/4	5 1/8	1	5	GL400CPSP
5"	3 1/2	7 1/4	6 3/8	1	2	GL500CPSP
6"	4	8 5/8	7 1/2	1	1	GL600CPSP

GRC Couplings & Connectors

Three-Piece Couplings



- Threaded for rigid conduit and IMC
- Concrete-tight
- Couples conduit when neither can be turned

Size	Overall Length	Max. Diameter	Unit Ctn. Qty.	Ship Ctn. Qty.	Item No.
1/2"	1 ^{3/8}	1 ^{7/16}	25	100	GL050UNIONCP
3/4"	1 ^{5/8}	1 ^{3/4}	25	100	GL075UNIONCP
1"	1 ^{13/16}	1 ^{15/16}	5	25	GL100UNIONCP
1 ^{1/4} "	2 ^{3/16}	2 ^{3/8}	5	25	GL125UNIONCP
1 ^{1/2} "	2 ^{5/16}	2 ^{5/8}	N/A	10	GL150UNIONCP
2"	2 ^{7/16}	3 ^{3/8}	N/A	10	GL200UNIONCP
2 ^{1/2} "	3 ^{3/16}	4	N/A	4	GL250UNIONCP
3"	3 ^{5/16}	4 ^{3/16}	N/A	4	GL300UNIONCP
3 ^{1/2} "	3 ^{1/2}	5 ^{1/8}	N/A	2	GL350UNIONCP
4"	3 ^{3/4}	5 ^{1/2}	N/A	2	GL400UNIONCP
5"	3 ^{11/16}	6 ^{7/8}	N/A	1	GL500UNIONCP
6"	4 ^{5/16}	8 ^{1/4}	N/A	1	GL600UNIONCP

Connectors

Size	Unit Ctn. Qty.	Ship Ctn. Qty.	Item No.
1/2"	25	100	GL050COMPCONN
3/4"	25	100	GL075COMPCONN
1"	10	50	GL100COMPCONN
1 ^{1/4} "	5	25	GL125COMPCONN
1 ^{1/2} "	N/A	5	GL150COMPCONN
2"	N/A	5	GL200COMPCONN
2 ^{1/2} "	N/A	5	GL250COMPCONN
3"	N/A	1	GL300COMPCONN
3 ^{1/2} "	N/A	1	GL350COMPCONN
4"	N/A	1	GL400COMPCONN



Steel

Expansion Joints

- Waterproof and concrete tight
- Made of Malleable or ductile iron/hot dip galvanized
- Provides a maximum of 4" conduit movement (2" in either direction)



Conduit Size	Maximum Conduit Movement	Maximum Diameter	Overall Length	Item No.
1/2"	4"	2"	6 ^{1/4}	GL050EXP
3/4"	4"	2 ^{1/4} "	6 ^{3/8}	GL075EXP
1"	4"	2 ^{5/8} "	6 ^{5/8}	GL100EXP
1 1/4"	4"	3 ^{1/8} "	6 ^{5/8}	GL125EXP
1 1/2"	4"	3 ^{1/2} "	6 ^{5/8}	GL150EXP
2"	4"	4"	7 ^{1/8}	GL200EXP
2 1/2"	4"	4 ^{1/2} "	7 ^{1/2}	GL250EXP
3"	4"	5 ^{3/8} "	8 ^{1/8}	GL300EXP
3 1/2"	4"	6"	8 ^{1/2}	GL350EXP
4"	4"	6 ^{5/8} "	8 ^{5/8}	GL400EXP
5"	4"	8"	9 ^{1/2}	GL500EXP
6"	4"	9 ^{1/2} "	15 ^{3/8}	GL600EXP

* Special order sizes available upon request.

OZGEDNEY



Deflection/Expansion Fittings

1. This expansion joint is watertight, rain-tight, and concrete-tight.
2. It consists of bronze end couplings, stainless steel bands, tinned copper braid bonding jumper, and a neoprene sleeve.
3. It is durable and will withstand occasional vibrations.
4. It will allow for movement of 3/4" from the normal in all directions.
5. The angular movement fittings allow a 30 degree deflection from the normal in any direction.
6. PVC conduit can also be used with this fitting by placing standard adapters at each end.



Conduit Size	Maximum Degree Of Deflection	Maximum Diameter	Overall Length	Item No.
1/2"	30	2 ^{1/4} "	6 ^{3/4}	GL050EXDF
3/4"	30	2 ^{1/2} "	6 ^{3/4}	GL075EXDF
1"	30	2 ^{3/4} "	7	GL100EXDF
1 ^{1/4} "	30	3 ^{1/8} "	7 ^{1/4}	GL125EXDF
1 ^{1/2} "	30	3 ^{1/8} "	7 ^{1/4}	GL150EXDF
2"	30	3 ^{7/8} "	8 ^{1/2}	GL200EXDF
2 ^{1/2} "	30	4 ^{3/8} "	8 ^{1/2}	GL250EXDF
3"	30	5"	8 ^{1/2}	GL300EXDF
3 ^{1/2} "	30	5 ^{3/4} "	9 ^{1/4}	GL350EXDF
4"	30	6 ^{1/4} "	9 ^{1/4}	GL400EXDF
5"	30	7 ^{1/4} "	9 ^{3/8}	GL500EXDF
6"	30	8 ^{1/4} "	9 ^{3/8}	GL600EXDF

* Special order sizes available upon request.

OZGEDNEY



Steel

Bonding Jumpers

This bonding jumper consists of malleable or ductile iron clamps, steel u-bolts, and tinned copper braids.



* Special order sizes available upon request.

Conduit Size	Maximum Usable Length	Item No.
1/2"; 3/4"	14"	GL050075BJ
1"; 1 1/4"	14"	GL100125BJ
1 1/2"; 2"	14"	GL150200BJ
2 1/2"; 3"	14"	GL250300BJ
3 1/2"; 4"	14"	GL350400BJ
5"; 6"	14"	GL500600BJ



Rigid Aluminum Conduit

Size	Diameter Outside	Diameter Inside	Wall Thickness	Quantity In Primary Bundle Ft.	Quantity Ft.	Master Bundle Approx. Weight Lbs.	Item No.
1/2"	0.840	0.632	0.104	100	2500	706	AL050
3/4"	1.050	0.836	0.107	100	2500	935	AL075
1"	1.315	1.063	0.126	100	2000	1090	AL100
1 1/4"	1.660	1.394	0.133	50	1000	716	AL125
1 1/2"	1.900	1.624	0.138	50	1000	887	AL150
2"	2.375	2.083	0.146	50	450	533.3	AL200
2 1/2"	2.875	2.489	0.193	-	300	567.5	AL250
3"	3.500	3.090	0.205	-	200	492.6	AL300
3 1/2"	4.000	3.570	0.215	-	200	591.2	AL350
4"	4.500	4.050	0.225	-	200	700.4	AL400
5"	5.563	5.113	0.245	-	80	383.1	AL500
6"	6.625	6.093	0.266	-	60	378.2	AL600

Aluminum Couplings

Size	Diameter Outside	Length	Standard Package	Approx. Weight per 100 Ft.	Item No.
1/2"	1.08	1.56	100	6.1	AL050CP
3/4"	1.33	1.62	50	9.1	AL075CP
1"	1.56	2.00	30	12.5	AL100CP
1 1/4"	1.95	2.06	25	18.9	AL125CP
1 1/2"	2.22	2.06	25	23.3	AL150CP
2"	2.75	2.12	15	34.6	AL200CP
2 1/2"	3.28	3.12	20	68.3	AL250CP
3"	3.94	3.25	15	91.4	AL300CP
3 1/2"	4.44	3.37	12	108.0	AL350CP
4"	5.00	3.50	12	142.0	AL400CP
5"	6.30	3.75	8	241.9	AL500CP
6"	7.39	4.00	6	321.0	AL600CP

CONDUIT
pipe products, co.

Fittings

Universal Aluminum Couplings

Aluminum Reverse-threaded Couplers

- More threads per linear inch - better grip on duct
- Wider tolerances to hold more types of duct
- Buttressed threads hold duct more securely
- For smooth-wall, ribbed, or corrugated duct



Size	Duct O.D. Range	Standard Package	Item No.
3/4"	0.91" - 1.08"	100	CONIN075CP
1"	1.23" - 1.42"	100	CONIN100CP
1 1/8"	1.40" - 1.57"	100	CONIN125CP
1 1/4"	1.49" - 1.70"	100	CONIN125CP
1 1/2"	1.80" - 2.00"	50	CONIN150CP
2"	2.31" - 2.52"	50	CONIN200CP
4"	4.41" - 4.65"	12	CONIN400CP

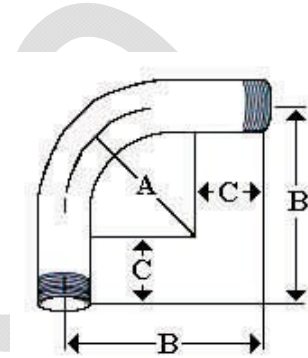
Anodized, Barbed Press-on Poly Duct Couplers

- Air-tight for pressurized cable propulsion system
- Barbed Buttressed Threads
- Exceptional hold for directional drilling

Size	Duct O.D.	Standard Package	Item No.
1"	1.315"	100	CONIN100CPPO
1 1/4"	1.660"	100	CONIN125CPPO
1 1/2"	1.900"	50	CONIN150CPPO
2"	2.375"	50	CONIN200CPPO

Aluminum Elbows

Size	Approx. Weight per 100 Ft.	Nominal Dimensions			Item No.
		A	B	C	
1/2"	29	4.0	6.50	2.50	AL050CP
3/4"	43	4.5	7.25	2.75	AL075CP
1"	71	5.75	8.375	2.875	AL100CP
1 1/4"	110	7.25	10.25	3.00	AL125CP
1 1/2"	153	8.25	11.875	3.625	AL150CP
2"	249	9.50	14.00	4.50	AL200CP
2 1/2"	437	10.50	15.75	5.25	AL250CP
3"	767	13.00	18.75	5.75	AL300CP
3 1/2"	1036	15.00	21.75	6.75	AL350CP
4"	1228	16.00	23.00	7.00	AL400CP
5"	2490	24.00	36.00	11.00	AL500CP
6"	3850	30.00	42.50	12.50	AL600CP



Aluminum Nipples

Size	Length	Item No.
1/2"	Close	AL050NPCL
3/4"		AL075NPCL
1"		AL100NPCL
1 1/4"		AL125NPCL
1 1/2"		AL150NPCL
2"		AL200NPCL
2 1/2"		AL250NPCL
3"		AL300NPCL
3 1/2"		AL350NPCL
4"		AL400NPCL
5"		AL500NPCL
6"		AL600NPCL

Nipples are also available in a wide range of lengths. Call you Saf-T-Co Supply representative for details.

CONDUIT
pipe products, co.

Fiberglass

Conduit IPS Standard Wall

Conduit Size	OD	ID	Wall Thickness	Length	Weight Lbs/ft	Item No.
4"	4.46	4.32	.070	20'	.72	CONFIB400
5"	5.52	5.538	.070	20'	.90	CONFIB500
6"	6.52	6.38	.070	20'	1.00	CONFIB600



90 Degree Sweeps

Size x Degree	OD	Tangent	Radius	Weight in Lbs.	Item No.
4" x 90	4.46	6	48	5.76	CONFIB4009048
5" x 90	5.52	6	48	7.20	CONFIB5009048
6" x 90	6.52	6	48	2.00	CONFIB6009048



FRE
COMPOSITES

CF
CHAMPION
FIBERGLASS

Fiberglass

Fittings

Stop Couplings

Size	Diameter	Length	Weight in Lbs.	Item No.
4"	4.47	6	.43	CONFIB400CP
5"	5.54	6	.50	CONFIB500CP
6"	6.54	6	.65	CONFIB600CP



Expansion Joints

Size	L Min.	L Max.	Weight in Lbs.	Item No.
4"	15	23	1.66	CONFIB400ExP
5"	15	23	2.07	CONFIB500ExP
6"	15	23	2.30	CONFIB600ExP

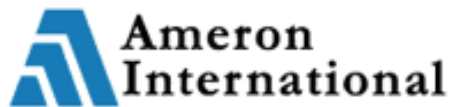
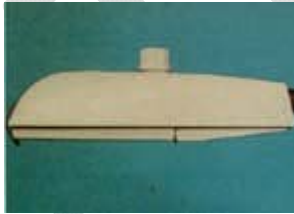


Roadway



SAF-T-CO Supply is a distributor for most types and brands of industrial and commercial lighting products. We specialize in street lighting fixtures as well as area lighting. We also distribute street lighting and traffic poles and arms, in both steel and concrete. These products are **custom ordered upon approval of submittals** by the appropriate state or city agencies.

Street Lighting



Roadway

Area Lighting



Pedestals and Controls

Custom configurations designed to your specific job.



- Single Meter Pedestals
- Dual Meter Pedestals
- Unmetered Pedestals
- Street Lighting Controls
- Traffic Signal Controls





Roadway

Signs

SAF-T-CO SUPPLY is an authorized distributor for NU-ART brand illuminated and reflective street signs. Most cities have pre-determined specifications for these types of signs, and SAF-T-CO Supply can meet just about any requirement.



NuArt

* Contact a sales representative for information about Luminaires and Rebar Cages

Roadway

Fuses



Time Delay Fuses

	Amperes	Volts	Dimensions	Item No.
Protect high in-rush solenoid, transformer, small motor circuits or non-inductive circuits.	05	250	13/32"D x 1 1/2"L	LITFLM5
	10	250	13/32"D x 1 1/2"L	LITFLM10
	15	125	13/32"D x 1 1/2"L	LITFLM15
	20	32	13/32"D x 1 1/2"L	LITFLM20
	30	32	13/32"D x 1 1/2"L	LITFLM30
Laminated tube-low cost protection of control, lighting circuits.	05	250	13/32"D x 1 1/2"L	LITMOL5
	10	250	13/32"D x 1 1/2"L	LITMOL10
	15	250	13/32"D x 1 1/2"L	LITMOL15
	20	125	13/32"D x 1 1/2"L	LITMOL20

Standards:
 UL 198G Supplementary Fuses File No. E19180
 CSA C22.2 Part 59.2 File No. LR53787

Time-Lag Class G Fuses

	Amperes	Volts	Dimensions	Item No.
As a 480 volt branch circuit fuse, the Type SEC fuse has a broad generation application. They are ideal for fluorescent fixtures subject to high short-circuit currents-minimize damage caused by faulty ballast; isolate a problem to a single fixture.	05	480 AC or Less	13/32"D x 1 5/16"L	LITSEC5
	10	480 AC or Less	13/32"D x 1 5/16"L	LITSEC10
	15	480 AC or Less	13/32"D x 1 5/16"L	LITSEC15
	20	480 AC or Less	13/32"D x 1 13/32"L	LITSEC20
	30	480 AC or Less	13/32"D x 1 5/8"L	LITSEC30
	40	480 AC or Less	13/32"D x 2 1/4"L	LITSEC40
	50	480 AC or Less	13/32"D x 2 1/4"L	LITSEC50
	60	480 AC or Less	13/32"D x 2 1/4"L	LITSEC60

UL Listed 198C: File No. E4273
 CSA C22.2 Part 59.2 File No. LR53787








Roadway

Fuse Holders

In-Line Fuse Holders

	Load Terminal	Line Terminal	Item No.
Single-Pole for 13/32" x 1 1/2" Fuses			
	#12-#8	#12-#8	LITHEBAA
	#12-#8	#10, #6, #4	LITHEBAB
	#12-#8		LITHEBAE
	#10, #6, #4	#10, #6, #4	LITHEBBB
Single-Pole for SC 35-60A and HVW Fuses			
	#10, #6, #4	#10, #6, #4	LITHEJBB
Double-Pole for 13/32" x 1 1/2" Fuses			
	#12-#8	#10, #6, #4	LITHEXAB

Standards:
 UL Recognized, Guide IZLT2, File E14853
 CSA Certified, Class 6225-01, File 47235



Special order fuse holders available upon request

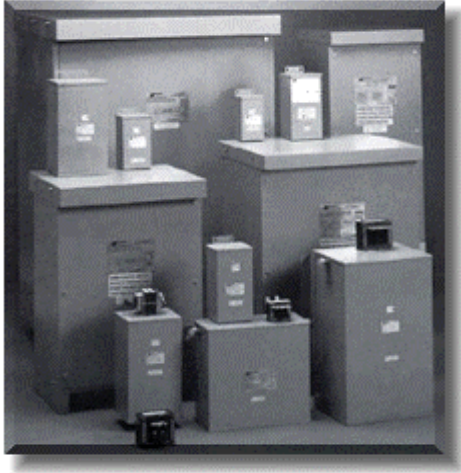
Roadway

Photo Cell

Product	Voltage	Description	Item No.
Shorting Cap	105 - 480	Locking-type caps that have the physical appearance of photoelectric controls and meet ANSI C136.10 mounting specifications for roadway lighting equipment but provide a normally closed contact. The fixture is always ON.	LIT10381
Photo Cell	105 - 285	Locking-type photo control, Instant On/Off, Dark Blue 1000W/1800VA 50 - 60 HZ	LIT7790B



* Contact a sales representative for information about Anchor Bolts.



Transformers

Oil Filled Transformers

Dry-Type Transformers

SAF-T-CO Supply offers a wide variety of transformers. Available in single phase or three phase custom enclosures enable you to install in an indoor or outdoor environment. All transformers meet or exceed all current standards. Building, commercial, industrial, lighting, control and OEM Applications, custom configurations built to your jobs specific needs.



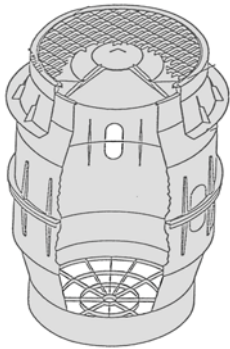
Howard Industries Utility Products Division

Excelling in the Manufacture of Electrical Power Products

Utility Boxes

Transformer Pads and BURD Cages

Measurements	Material	Type	Description	Item No.
48 x 54	Concrete	Pad	SCE	BOX4854CON
48 x 54	RPM	Pad	SCE	BOX4854P
44 x 46	Concrete	SDG&E Pad	-	BOX3421P
48 x 72	Concrete	Pad	IID	BOX4872P
72 x 94	Concrete	Pad	S.C.E.	BOX7294P
54 x 38	Fiberglass	BURD Enclosure	Base	BOXBCB
37 Diameter	Steel	BURD Enclosure	Grate	BOXBCG
-	Plastic	BURD Enclosure	Leveling Cone	BOXBCLC
54 x 38	Fiberglass	BURD Enclosure	Top	BOXBCT
-	Plastic	BURD Enclosure	Tamper Proof Vent	BOXBCTPV



BURD Cages are used to protect transformers underground. They are made up of 5 different parts which can be purchased individually or as a unit:

- Steel grate
- Tamper vent
- Top
- Leveling cone
- Base

newbasis

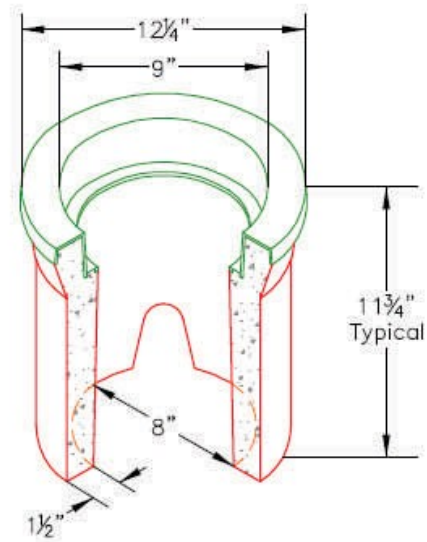
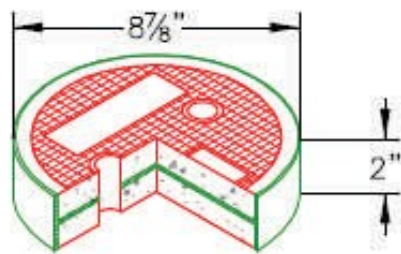
* Please contact us for availability.

Grade Rings

Dimensions	Material	Item No.
24 x 36	Concrete	BOX2436GR6
36 x 3	Concrete	BOX363GR
36 x 6	Concrete	BOX366GR

Utility Boxes

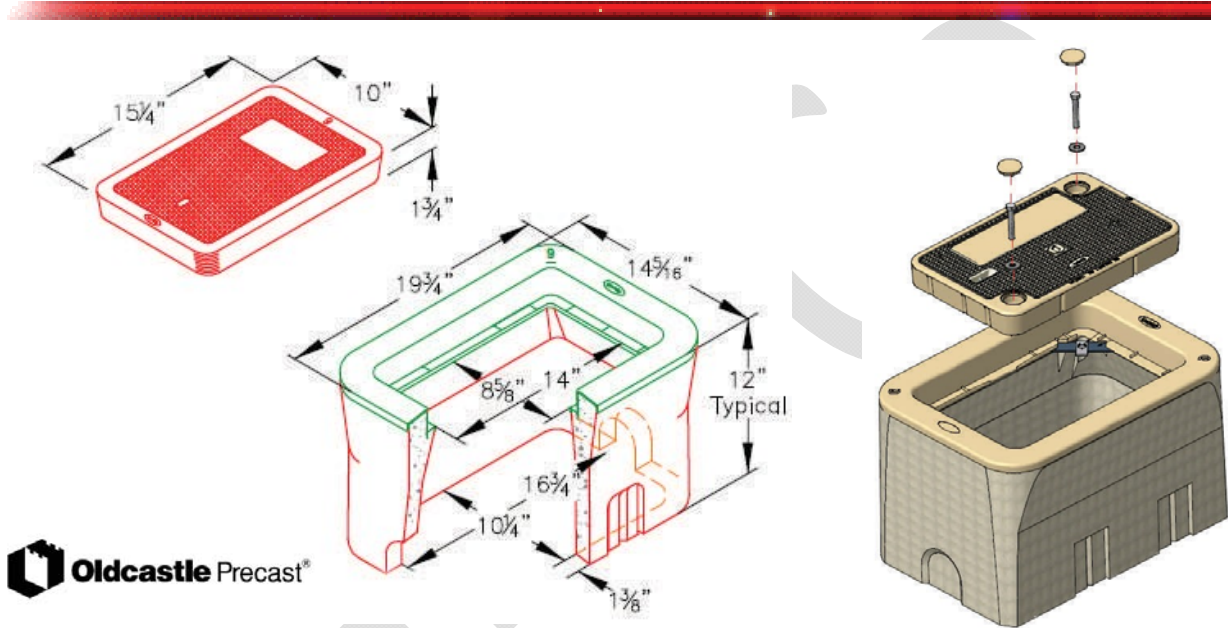
Pull Boxes / Handholes Parkway



Measurements	Material	Type		Description	Item No.
8 Diameter x 12	Concrete	Box	-	-	CHRF8BOX
8 Diameter	Concrete	Cover	Non Bolt Down	Blank	CHRF8DBL
8 Diameter	Concrete	Cover	Non Bolt Down	Ground	CHRF8DG
8 Diameter	Concrete	Cover	Non Bolt Down	Electric	CHRF8DEL
8 Diameter	Cast Iron	Cover	Non Bolt Down	Ground	CHRF8CG

Utility Boxes

Pull Boxes / Handholes Parkway

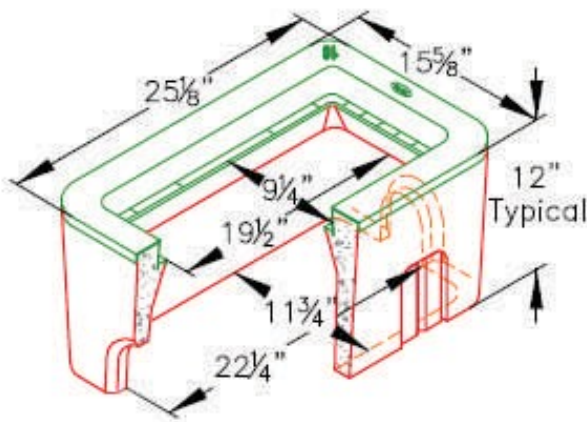


 Oldcastle Precast®

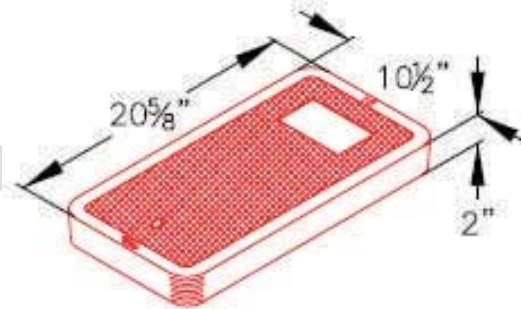
Measurements	Material	Type		Description	Item No.
10 ^{1/4} x 16 ^{3/4} x 12	Concrete	Box	-	#3 ^{1/2} State	CHRN9BOX
10 ^{1/4} x 16 ^{3/4} x 12	Concrete	Extension	-	#3 ^{1/2} State	CHRB9X12
10 x 15 ^{1/4}	Concrete	Cover	Combo Lid	Blank	CHRN9RBL
10 x 15 ^{1/4}	Concrete	Cover	Combo Lid	Edison	CHRN9RED
10 x 15 ^{1/4}	Concrete	Cover	Combo Lid	Electric	CHRN9REL
10 x 15 ^{1/4}	Concrete	Cover	Combo Lid	Ground	CHRN9RG
10 x 15 ^{1/4}	Concrete	Cover	Combo Lid	Telephone	CHRN9RTEL
10 x 15 ^{1/4}	Concrete	Cover	Combo Lid	TV Cable	CHRN9RCA
10 x 15 ^{1/4}	Concrete	Cover	Combo Lid	Street Lighting	CHRN9RSL
10 x 15 ^{1/4}	Concrete	Cover	Combo Lid	Traffic Signal	CHRN9RTS
10 x 15 ^{1/4}	Concrete	Cover	Combo Lid	Communications	CHRN9RCO
10 x 15 ^{1/4}	Steel	Cover	Bolt Down	Blank	CHRN961JBL

Utility Boxes

Pull Boxes / Handholes Parkway



All Pull Boxes, Handholes, Splice Vaults, and Grade Rings meet local utility codes and regulations. Speak with your SAF-T-CO Supply sales representative for details. Special order items also available upon request.

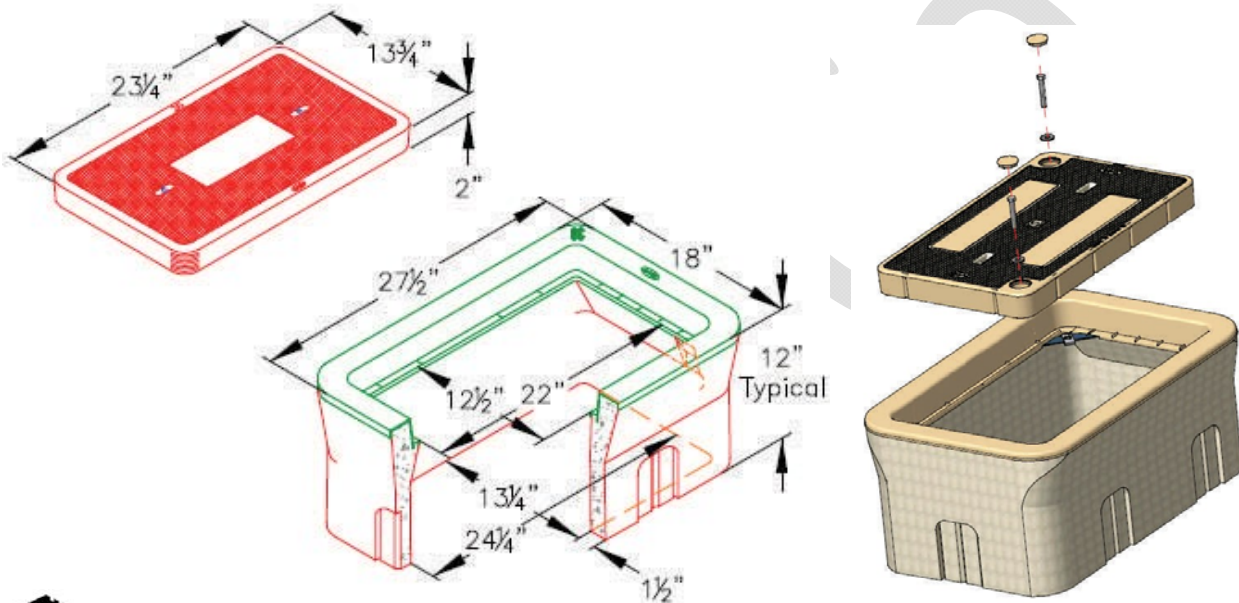


Measurements	Material	Type		Description	Item No.
11 ^{3/4} x 22 ^{1/4} x 12	Concrete	Box	-	-	CHRN16BOX
11 ^{3/4} x 22 ^{1/4} x 12	Concrete	Extension	-	-	CHRB16X12
10 ^{1/2} x 20 ^{5/8}	Concrete	Cover	Bolt Down	Electric	CHRN16TEL
10 ^{1/2} x 20 ^{5/8}	Concrete	Cover	Bolt Down	Edison	CHRN16TED
10 ^{1/2} x 20 ^{5/8}	Concrete	Cover	Bolt Down	Street Lighting	CHRN16TSL
10 ^{1/2} x 20 ^{5/8}	Steel	Cover	Bolt Down	Blank	CHRN1661JBL



Utility Boxes

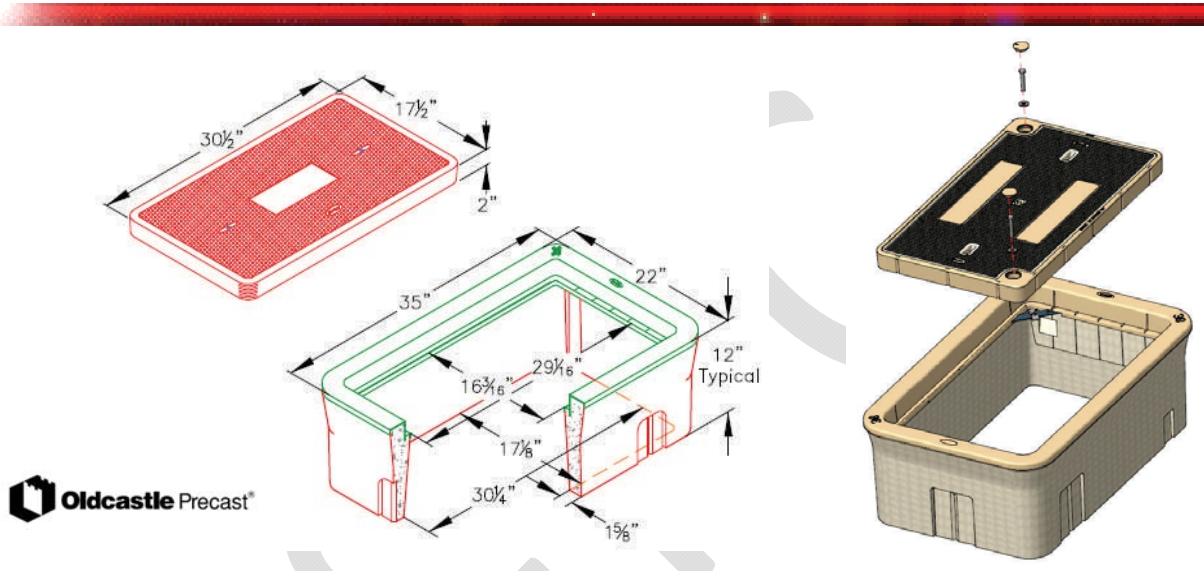
Pull Boxes / Handholes Parkway



Measurements	Material	Type		Description	Item No.
13 ^{1/4} x 24 ^{1/4} x 12	Concrete	Box	-	#5 State	CHRN30BOX
13 ^{1/4} x 24 ^{1/4} x 12	Concrete	Extension	-	#5 State	CHRB30X12
13 ^{3/4} x 23 ^{1/4}	Concrete	Cover	Combo Lid	Edison	CHRN30RED
13 ^{3/4} x 23 ^{1/4}	Concrete	Cover	Combo Lid	Electric	CHRN30REL
13 ^{3/4} x 23 ^{1/4}	Concrete	Cover	Combo Lid	Telephone	CHRN30RTEL
13 ^{3/4} x 23 ^{1/4}	Concrete	Cover	Combo Lid	Traffic Signal	CHRN30RTS
13 ^{3/4} x 23 ^{1/4}	Concrete	Cover	Combo Lid	Caltrans Ramp Meter	CHRN30RCTRM
13 ^{3/4} x 23 ^{1/4}	Concrete	Cover	Combo Lid	Caltrans Traffic Signal	CHRN30RCTTS
13 ^{3/4} x 23 ^{1/4}	Concrete	Cover	Combo Lid	-	CHRN30RCT

Utility Boxes

Pull Boxes / Handholes Parkway



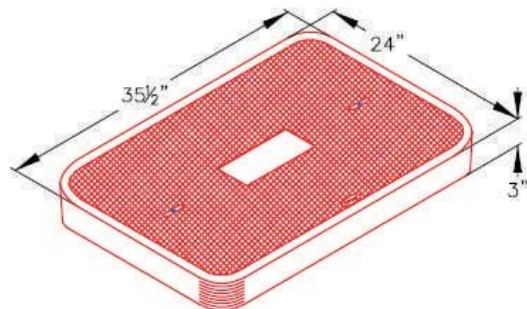
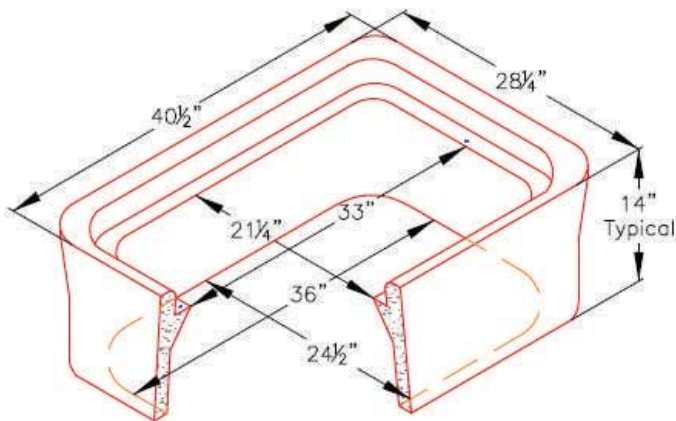
Measurements	Material	Type		Description	Item No.
17 ¹ / ₈ x 30 ¹ / ₄ x 12	Concrete	Box	-	#6 State	CHRN36BOX
17 ¹ / ₈ x 30 ¹ / ₄ x 12	Concrete	Extension	-	#6 State	CHRB36X12
17 ¹ / ₂ x 30 ¹ / ₂	Concrete	Cover	Combo Lid	TV Cable	CHRN36RCA
17 ¹ / ₂ x 30 ¹ / ₂	Concrete	Cover	Combo Lid	Blank	CHRN36RBL
17 ¹ / ₂ x 30 ¹ / ₂	Concrete	Cover	Combo Lid	Edison	CHRN36RED
17 ¹ / ₂ x 30 ¹ / ₂	Concrete	Cover	Combo Lid	Electric	CHRN36REL
17 ¹ / ₂ x 30 ¹ / ₂	Concrete	Cover	Combo Lid	Telephone	CHRN36RTEL
17 ¹ / ₂ x 30 ¹ / ₂	Concrete	Cover	Combo Lid	Traffic Signal	CHRN36RTS
17 ¹ / ₂ x 30 ¹ / ₂	Concrete	Cover	Combo Lid	Caltrans Traffic Signal	CHRN36RCTTS
17 ¹ / ₂ x 30 ¹ / ₂	Concrete	Cover	Combo Lid	City of Riverside	CHRN36RCOR
17 ¹ / ₂ x 30 ¹ / ₂	Steel	Cover	Bolt Down	Blank	CHRN3661JBL
17 ¹ / ₂ x 30 ¹ / ₂	Steel	Cover	Bolt Down	Edison	CHRN3661JED
17 ¹ / ₂ x 30 ¹ / ₂	Steel	Hardware	Bolt Down	Electric	CHRN3661JEL

Utility Boxes

Pull Boxes / Handholes Parkway

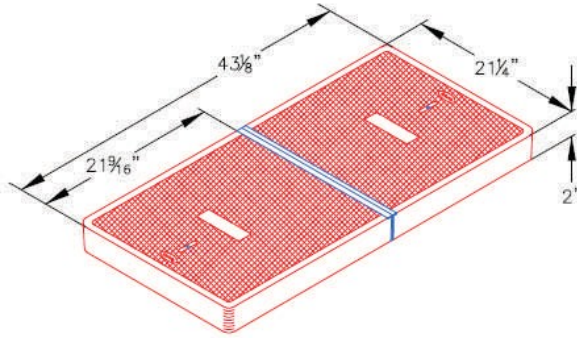
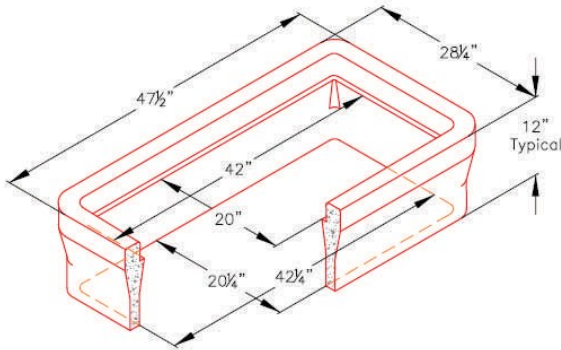


Measurements	Material	Type		Description	Item No.
24 ^{1/2} x 36 x 14	Concrete	Box	-	-	CHRB40BOX
24 ^{1/2} x 36 x 10	Concrete	Extension	-	-	CHRB40X10
24 x 35 ^{1/2}	Concrete	Cover	Bolt Down	TV Cable	CHRN40TCA
24 x 35 ^{1/2}	Concrete	Cover	Bolt Down	Communication	CHRN40TCO
24 x 35 ^{1/2}	Concrete	Cover	Bolt Down	Edison	CHRN40TED
24 x 35 ^{1/2}	Concrete	Cover	Bolt Down	Electric	CHRN40TEL
24 x 35 ^{1/2}	Concrete	Cover	Bolt Down	Telephone	CHRN40TTE
24 x 35 ^{1/2}	Concrete	Cover	Bolt Down	Traffic Signal	CHRN40TTS
24 x 35 ^{1/2}	Concrete	Cover	Non Bolt Down	Traffic Signal	CHRB40DTS
24 x 35 ^{1/2}	Steel	Cover	Bolt Down	Blank	CHRN4061JBL

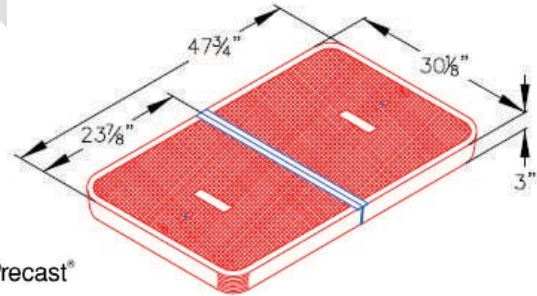
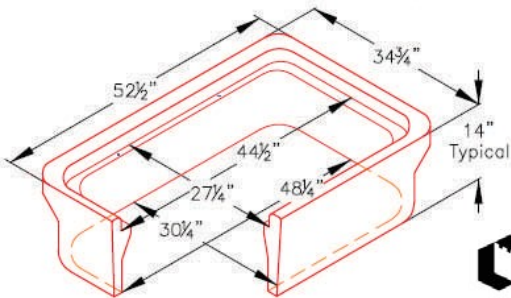


Utility Boxes

Pull Boxes / Handholes Parkway



Measurements	Material	Type		Description	Item No.
20 ^{1/4} x 42 x 12	Concrete	Box	-	-	CHRB44BOX
20 ^{1/4} x 42 x 8	Concrete	Extension	-	-	CHRB44X8
21 ^{1/4} x 43 ^{1/8}	Concrete	Cover	Non Bolt Down	CATV	CHRB44D2CA



Measurements	Material	Type		Description	Item No.
30 ^{1/4} x 48 ^{1/4} x 14	Concrete	Box	-	Meets PG&E Specs	CHRB48BOX
30 ^{1/4} x 48 ^{1/4} x 14	Concrete	Box	-	Meets PG&E Specs	CHRN48TBOX
30 ^{1/8} x 47 ^{3/4}	Concrete	Extension	-	-	CHRB48X10
30 ^{1/8} x 47 ^{3/4}	Concrete	Cover	Non Bolt Down	Blank	CHRN48D2BL
30 ^{1/8} x 47 ^{3/4}	Concrete	Cover	Bolt Down	Communications	CHRN48T2CO
30 ^{1/8} x 47 ^{3/4}	Concrete	Cover	Bolt Down	Electric	CHRN48T2EL
30 ^{1/8} x 47 ^{3/4}	Concrete	Cover	Bolt Down	Traffic Signal	CHRN48T2TS
30 ^{1/8} x 47 ^{3/4}	Steel	Cover	Bolt Down	Blank	CHRN4862JBL

Utility Boxes

Pull Boxes / Handholes Parkway

City of Los Angeles

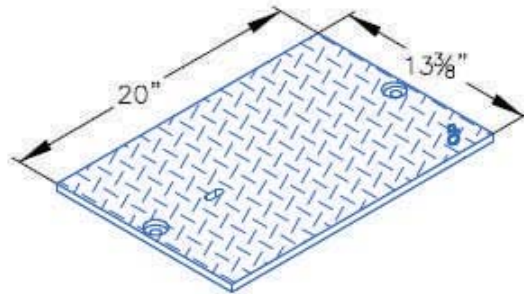
Measurements	Material	Type		Description	Item No.
12 x 22	Concrete	Box	-	Type II	BOXTYPE2LA
11 ^{3/4} x 21 ^{3/4}	Concrete	Lid	Non Bolt Down	Street Lighting High Voltage	BOXTYPE2COVERSLHV
11 ^{3/4} x 21 ^{3/4}	Concrete	Lid	Non Bolt Down	Traffic Signal	BOXTYPE2COVERTS
18 ^{1/2} x 30	Concrete	Box	-	Type III	BOXTYPE3LA
17 ^{3/4} x 29 ^{3/4}	Concrete	Lid	Non Bolt Down	Street Lighting High Voltage	BOXTYPE3COVERSLHV
17 ^{3/4} x 29 ^{3/4}	Concrete	Lid	Non Bolt Down	Traffic Signal	BOXTYPE3COVERTS

Caltrans #9A

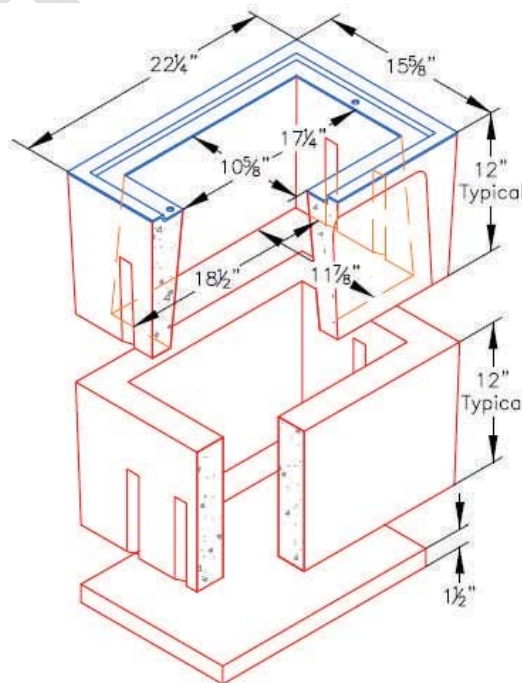
Measurements	Material	Type		Description	Item No.
8 ^{1/2} x 21 ^{1/2}	Steel	Box	-	Caltrans	BOXTYPE9A
8 ^{3/8} x 21 ^{7/8}	Steel	Lid	Bolt Down	Communication	BOXTYPE9ACCTCO
8 ^{3/8} x 21 ^{7/8}	Steel	Lid	Bolt Down	Caltrans Ramp Metering	BOXTYPE9ACCTRM
8 ^{3/8} x 21 ^{7/8}	Steel	Lid	Bolt Down	Caltrans Street Lighting	BOXTYPE9ACCTSL
8 ^{3/8} x 21 ^{7/8}	Steel	Lid	Bolt Down	Caltrans Traffic Signal	BOXTYPE9ACCTTS
8 ^{3/8} x 21 ^{7/8}	Wood	Lid	-	-	BOXTYPE9AWC

Utility Boxes

Pull Boxes / Handholes Traffic

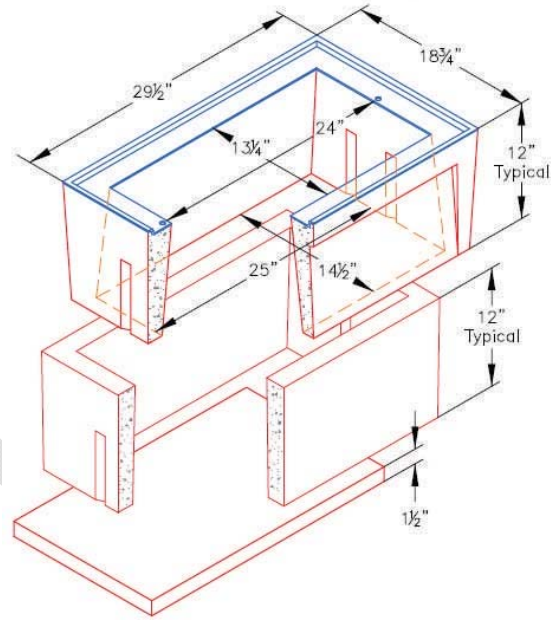
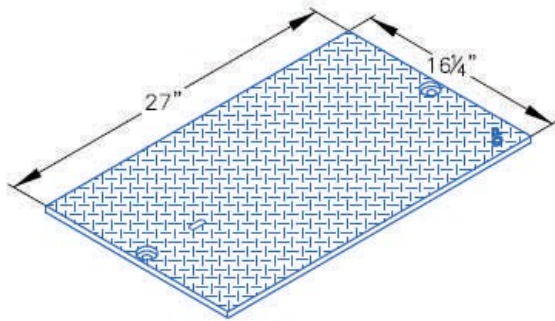


Measurements	Material	Type		Description	Item No.
10 ^{5/8} x 17 ^{1/4} x 12	Concrete	Box	-	# 3 ^{1/2} T State	CHRB1017BOX
10 ^{5/8} x 17 ^{1/4} x 12	Concrete	Extension	-	# 3 ^{1/2} T State	CHRB1017X12
13 ^{3/8} x 20	Steel	Cover	Bolt Down	Blank	CHRB101761JHBL
13 ^{3/8} x 20	Steel	Cover	Bolt Down	Edison	CHRB101761JHED



Utility Boxes

Pull Boxes / Handholes Traffic

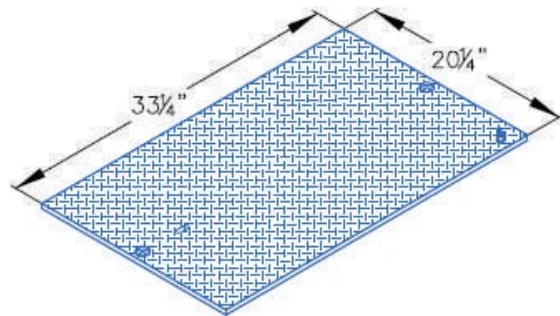
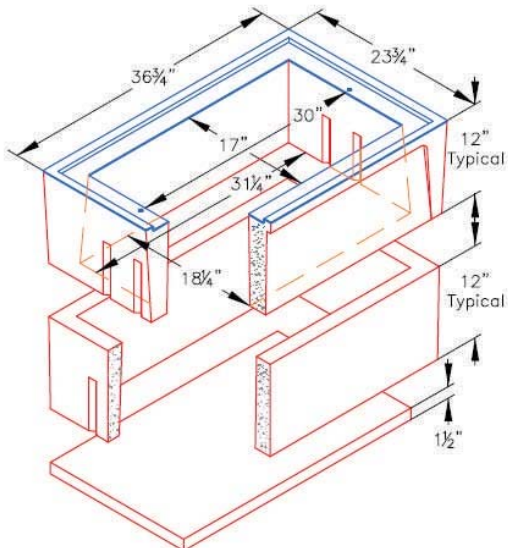


Measurements	Material	Type		Description	Item No.
13 ^{1/4} x 24 x 12	Concrete	Box	-	# 5T State	CHRB1324BOX
13 ^{1/4} x 24 x 12	Concrete	Extension	-	# 5T State	CHRB1324X12
16 ^{1/4} x 27	Steel	Cover	Bolt Down	Blank	CHRB132461JHBL
16 ^{1/4} x 27	Steel	Cover	Bolt Down	CATV	CHRB132461JHCA
16 ^{1/4} x 27	Steel	Cover	Bolt Down	Caltrans Communications	CHRB132461JHCTCO
16 ^{1/4} x 27	Steel	Cover	Bolt Down	Caltrans Street Lighting	CHRB132461JHCTSL
16 ^{1/4} x 27	Steel	Cover	Bolt Down	Caltrans Telephone	CHRB132461JHCTTE
16 ^{1/4} x 27	Steel	Cover	Bolt Down	Caltrans Traffic Signal	CHRB132461JHCTTS
16 ^{1/4} x 27	Steel	Cover	Bolt Down	Edison	CHRB132461JHED
16 ^{1/4} x 27	Steel	Cover	Bolt Down	Traffic Signal	CHRB132461JHTS

Utility Boxes

Pull Boxes / Handholes Traffic

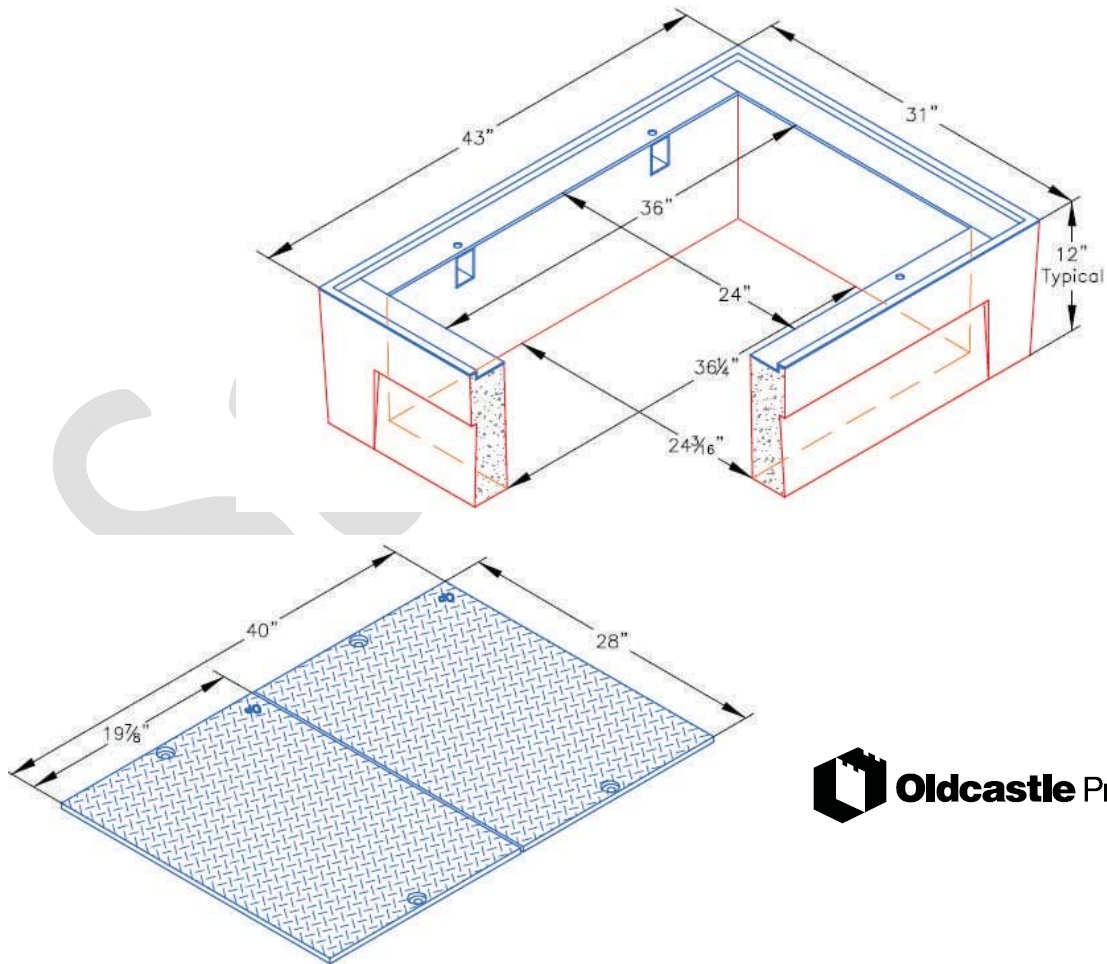
Measurements	Material	Type		Description	Item No.
17 x 30 x 12	Concrete	Box	-	# 6T State	CHRB1730BOX
17 x 30 x 12	Concrete	Extension	-	# 6T State	CHRB1730X12
20 ^{1/4} x 33 ^{1/4}	Steel	Cover	Bolt Down	Electric	CHRB173051JHEL
20 ^{1/4} x 33 ^{1/4}	Steel	Cover	Bolt Down	High Voltage Street Lighting	CHRB173051JHHVSL
20 ^{1/4} x 33 ^{1/4}	Steel	Cover	Bolt Down	Verizon	CHRB173051JHVER
20 ^{1/4} x 33 ^{1/4}	Steel	Cover	Bolt Down	Blank	CHRB173051JHBL
20 ^{1/4} x 33 ^{1/4}	Steel	Cover	Bolt Down	Caltrans	CHRB173051JHCT
20 ^{1/4} x 33 ^{1/4}	Steel	Cover	Bolt Down	Caltrans Communication	CHRB173051JHCTCO
20 ^{1/4} x 33 ^{1/4}	Steel	Cover	Bolt Down	Caltrans Count Station	CHRB173051JHCTCS
20 ^{1/4} x 33 ^{1/4}	Steel	Cover	Bolt Down	Caltrans Ramp Metering	CHRB173051JHCTRM
20 ^{1/4} x 33 ^{1/4}	Steel	Cover	Bolt Down	Caltrans Street Lighting	CHRB173051JHCTSL
20 ^{1/4} x 33 ^{1/4}	Steel	Cover	Bolt Down	Caltrans Traffic	CHRB173051JHCTT
20 ^{1/4} x 33 ^{1/4}	Steel	Cover	Bolt Down	Caltrans Traffic Signal	CHRB173051JHCTTS
20 ^{1/4} x 33 ^{1/4}	Steel	Cover	Bolt Down	Edison	CHRB173051JHED



Utility Boxes

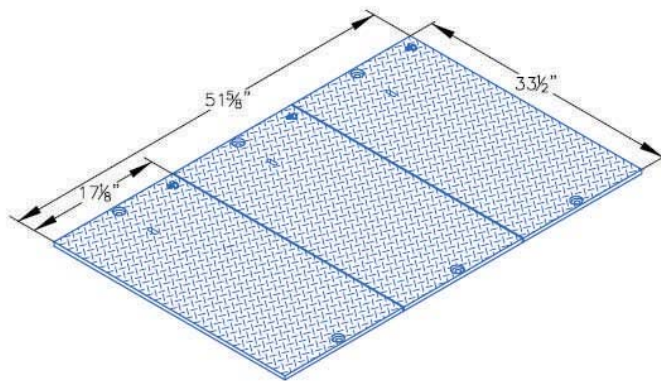
Pull Boxes / Handholes Traffic

Measurements	Material	Type		Description	Item No.
24 x 36 x 12	Concrete	Box	-	-	CHRB2436BOX
24 x 36 x 12	Concrete	Extension	-	-	CHRB2436X12
28 x 40	Steel	Cover	Bolt Down	Blank	CHRB243662JHBL

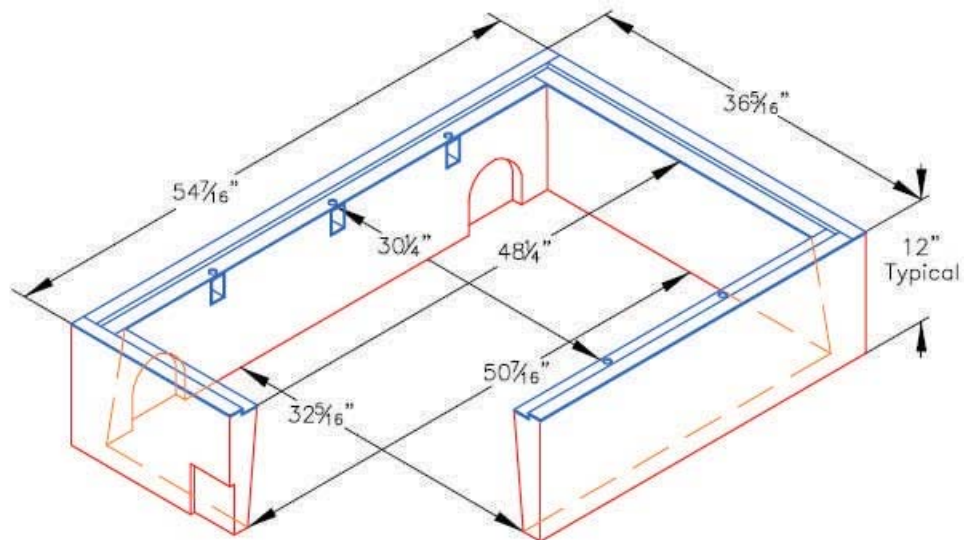


Utility Boxes

Pull Boxes / Handholes Traffic



Measurements	Material	Type		Description	Item No.
30 1/4 x 48 1/4 x 12	Concrete	Box	-	-	CHRB3048BOX
30 1/4 x 48 1/4 x 12	Concrete	Extension	-	-	CHRB3048X12
33 1/2 x 51 5/8	Steel	Cover	Bolt Down	Blank	CHRB304863JHBL



Utility Boxes

Terrazzo Pans

Hide your pull boxes with decorative hardscape using custom Terrazzo Pans. Speak with your Saf-T-Co Supply representative for details.



Utility Boxes

Pull Boxes / Handholes

Measurements	Material	Type	Marking	Item No.
Fiberglass Boxes				
13 x 24 x 18	Fiberglass	Box	Edison	BOX132418FBED
13 x 24 x 18	Fiberglass	Box	Anaheim	BOX132418FBANAHEIM
17 x 30 x 24	Fiberglass	Box	AT&T	BOX173024FBATT
17 x 30 x 30	Fiberglass	Box	Edison	BOX173030FBED20
17 x 30 x 34	Fiberglass	Box	AT&T	BOX173034FBATT
24 x 36 x 24	Fiberglass	Box	AT&T	BOX243624FBATT
24 x 36 x 42	Fiberglass	Box	AT&T	BOX243642FBATT
30 x 60 x 36	Fiberglass	Box	AT&T	BOX306036FBATT
Plastic Boxes				
6 Round	Plastic	Box	Blank	BOX610PBBL
10 Round	Plastic	Box	Blank	BOX1010PBBL
13 x 24 x 15	Plastic	Box	Blank	BOX132415PBBL
13 x 24 x 15	Plastic	Box	Edison	BOX132415PBED
13 x 24 x 15	Plastic	Box	Electric	BOX132415PBEL
13 x 24 x 15	Plastic	Box	IID	BOX132415PBID
13 x 24 x 15	Plastic	Edison Extension	-	BOX132415PEED
13 x 24 x 15	Plastic	IID Extension	-	BOX132415PEID
14 x 19 x 12	Plastic	Box	Blank	BOX141912PBBL
17 x 30 x 15	Plastic	Box	Blank	BOX173015PBBL
17 x 30 x 15	Plastic	Box	Edison	BOX173015PBED
Polymer Concrete Boxes				
17 x 30 x 24	Polymer Concrete	Box	Verizon	BOX173024PCVER
24 x 36 x 24	Polymer Concrete	Box	Verizon	BOX243624VERFTTPQ
30 x 48 x 36	Polymer Concrete	Box	Verizon	BOX304836VERFTTPQ

All Pull Boxes, Handholes, Splice Vaults, and Grade Rings meet local utility codes and regulations. Speak with your SAF-T-CO Supply sales representative for details. Special order items also available upon request.



Utility Boxes

False Curbs



Dimensions	Item No.
30" x 48"	BOXFCURB3040ATT

Utility Boxes

Manhole Accessories

Guard Rail

The Manhole Guard Rail is a steel guard with two steel chains and a wing bow locking brace to guarantee sturdy protection. It is freestanding and painted safety yellow.

- Height - 42"
- Length - 32"
- Width - 32.25"
- Weight - 32 lbs.

Part # CNX08043300



Cover Lifting Hook

The Cover Lifting Hook is used for removing manhole covers.

Part # CNX08023000



Cover Lift Tool

The Cover Lift Tool is used to "walk" the cover off, making the removal of heavy manhole covers an easy task. It is made of steel tubing and is zinc plated.

Part # HDWMLT



Magnet HD Manhole Cover and Grate Remover Kit

The Magnet HD Manhole Cover and Grate Remover is a heavy duty tool used for difficult lifting situations. It consists of the following parts:

- Magnet HD Lifter Body
- Magnet Spreader Bar Attachment
- Two 660 lb Magnets
- Lifting Hook Extensions



Utility Boxes

Manhole Accessories

Underground Structure Tool

The Underground Structure Tool combines four of the most commonly used tools into one. It is made of 9/16 round steel bar with a zinc plated finish. It has two sizes of penta sockets, a standard 12 point 5/16 inch socket, and a pry blade.



Part # HDWPW

8" Portable Blower

The Portable Blower is a lightweight high performance tube axial fan. It is used to remove or supply large volumes of air in confined spaces. It's extended housing protects the attached 15 feet of flexible ducting from abrasion, soiling, or sunlight. Meets all of OSHA requirements.



Utility Boxes

Manhole Accessories

Vent Stand Pipe

Description	Item No.
Vent Stand Pipe	
8" Diameter	CONSDR350800SP
10" Diameter	CONSDR351000SP
12" Diameter	CONSDR351200SP
8" Diameter with Granite Finish	ARM0800SP
10" Diameter with Sand Stone Finish	ARM1000SP
T's	
8" T	CONSDR350800T
10" T	CONSDR351000T
12" T	CONSDR351200T
90° EL	
8" x 90 EL	CONSDR35080090
10" x 90 EL	CONSDR35100090
12" x 90 EL	CONSDR35120090
45° EL	
8" x 45 EL	CONSDR35080045
10" x 45 EL	CONSDR35100045
12" x 45 EL	CONSDR35120045



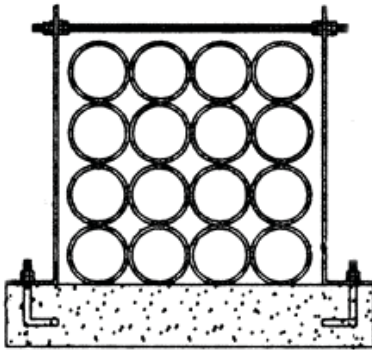
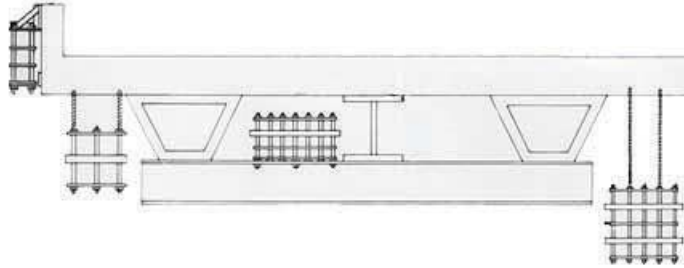
Vent stand pipe conforms to all local utility specifications and regulations. Ask your SAF-T-CO Supply sales representative for details.



Also available in galvanized steel

Specialty Items

Bridge Hangers



Any Configuration Custom made for your job

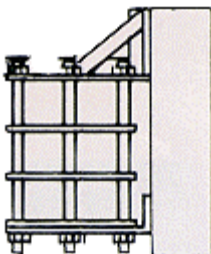
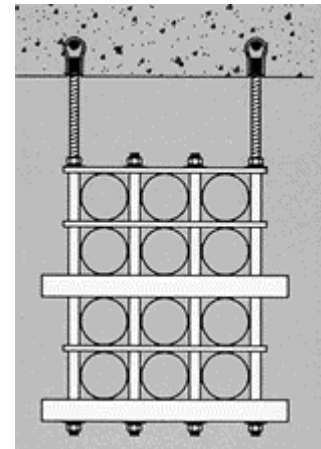
- Stainless Steel
- Galvanized Steel
- Concrete Blocks + Anchors

Floor Mount Galvanized Steel w/Concrete Block and Anchors.

Any Configuration Custom made for your job

- Stainless Steel
- Galvanized Steel
- Fiberglass
- Anchors + Hardware

*Hanger Mount
Fiberglass w/Hardware*



Any Configuration Custom made for your job

- Stainless Steel
- Galvanized Steel
- Hardware + Anchors

Specialty Items

Bridge Epoxy

Bridge epoxy is not only for bonding concrete, it can also be used to fasten metal anchors in concrete. Be sure to clean the surface before applying and do not dilute with solvent or any other material.



Wire and Grounding

THHN



Nylon Jacket PVC Insulation Bare Copper Conductor

THHN - THWN 90 Degree Celsius Building Wire

Applications

- General purpose building wire for services, feeders and branch circuits
- Conduit and raceways
- 1/0 and larger for cable tray use

Features

- Slick nylon jacket for easy pulling
- VW-1 rated through 1 AWG
- 1/0 AWG and larger rated for CT use
- 1/0 AWG and larger rated Sunlight Resistant
- Gasoline and Oil Resistant
- Resistant to abrasion, acids, alkalines, ozone, and water

Color	Code	Color	Code	Color	Code	Color	Code
Red	RD	Orange	OR	Blue	BE	Grey	GY
White	WT	Black	BK	Yellow	YW	Purple	PU
Green	GN	Pink	PK	Brown	BN	Beige	BG

To decipher the item number substitute the color code for ##.

Size AWG	No. of Strands	Strand class	Insulation Thickness (MILS)	Jacket Thickness (MILS)	NOM. O.D. (Inches)	Shipping WT. LBS/MFT	Item No.
14	Solid	-	15	4	.102	17	WIR14SOLTHHN##
12	Solid	-	15	4	.1118	25	WIR12SOLTHHN##
10	Solid	-	20	4	.150	39	WIR10SOLTHHN##
14	19	B	15	4	.110	18	WIR1419STRTHHN##
12	19	B	15	4	.128	27	WIR1219STRTHHN##
10	19	B	20	4	.161	40	WIR1019STRTHHN##
8	19	B	30	5	.212	69	WIR0819STRTHHN##
6	19	B	30	5	.250	109	WIR0619STRTHHN##
4	19	B	40	6	.318	166	WIR0419STRTHHN##
3	19	B	40	6	.345	202	WIR0319STRTHHN##
2	19	B	40	6	.375	254	WIR0219STRTHHN##
1	19	B	50	7	.430	316	WIR0119STRTHHN##

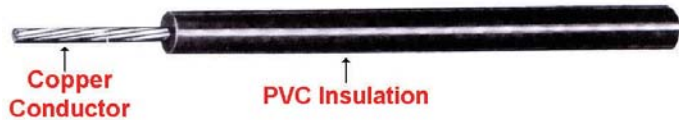
Special order color and sizes also available

Wire and Grounding

THW Copper Wire

Application

- General purpose building wire for use in conduits and ducts.
- Approved for use in circuits not exceeding 600 volts, with a maximum operating temperature of 75°C in wet or dry locations.
- Resistant to solvents, greases, oils, alkalis, acids, and provides exceptional flame resistance.



Color	Code	Color	Code	Color	Code	Color	Code
Red	RD	Orange	OR	Blue	BE	Grey	GY
White	WT	Black	BK	Yellow	YW	Purple	PU
Green	GN	Pink	PK	Brown	BN	Beige	BG

To decipher the item number substitute the color code for ##.

Cond. Size AWG/MCM	No. of Strands	Insulation Thickness (MILS)	Approx. O.D. (Inches)	Shipping WT. LBS/MFT	Item No.
14	Solid	45	0.161	23	WIR14SOLTHW##
12	Solid	45	0.178	31	WIR12SOLTHW##
10	Solid	45	0.199	45	WIR10SOLTHW##
14	7	45	0.258	24	WIR1407STRTHW##
12	7	45	0.167	33	WIR1207STRTHW##
10	7	45	0.186	46	WIR1007STRTHW##
8	7	60	0.210	79	WIR0807STRTHW##
6	7	60	0.276	117	WIR0607STRTHW##
4	7	60	0.314	172	WIR0407STRTHW##
3	7	60	0.363	215	WIR0307STRTHW##
2	7	60	0.392	259	WIR0207STRTHW##
1	19	80	0.432	333	WIR0119STRTHW##
1/0	19	80	0.494	392	WIR1019STRTHW##
2/0	19	80	0.537	484	WIR2019STRTHW##
3/0	19	80	0.582	620	WIR3019STRTHW##
4/0	19	80	0.634	768	WIR4019STRTHW##
250	37	95	0.692	888	WIR25037STRTHW##
300	37	95	0.768	1091	WIR30037STRTHW##
350	37	95	0.832	1255	WIR35037STRTHW##

Wire and Grounding

Bare Copper



Solid Conductor



Standard Conductor

Applications

- Equipment and circuit grounding

Bare Copper

Cond. Size AWG/MCM	No. of Strands	ASTM Stranding Class	Nom. O.D. (Inches)	Copper WT. LBS/MFT	Item No.
14	Solid	-	0.064	12.4	WIR14SOLBARE
12	Solid	-	0.081	19.8	WIR12SOLBARE
10	Solid	-	0.102	31.4	WIR10SOLBARE
8	Solid	-	0.129	50.0	WIR08SOLBARE
8	7	B	0.146	51.0	WIR0807STRBARE
6	Solid	-	0.162	79.4	WIR06SOLBARE
6	7	B	0.184	81.1	WIR0607STRBARE
4	Solid	-	0.204	126.3	WIR04SOLBARE
4	7	A, B	0.232	128.9	WIR0407STRBARE
2	Solid	-	0.258	200.9	WIR02SOLBARE
2	7	A, B	0.292	204.9	WIR0207STRBARE
1	7	A	0.328	258.4	WIR0107STRBARE
1/0	7	AA, A	0.368	326.0	WIR1007STRBARE
1/0	19	B	0.373	326.0	WIR1019STRBARE
2/0	7	AA, A	0.414	411.0	WIR2007STRBARE
2/0	19	B	0.419	411.0	WIR2019STRBARE
3/0	7	AA, A	0.464	518.1	WIR3007STRBARE
3/0	19	B	0.470	518.1	WIR3019STRBARE
4/0	7	AA, A	0.522	653.3	WIR4007STRBARE
4/0	19	B	0.528	653.3	WIR4019STRBARE
250	37	B	0.575	771.9	WIR25037STRBARE
350	37	B	0.681	1081.0	WIR35037STRBARE
500	37	A, B	0.813	1544.0	WIR50037STRBARE
700	61	A, B	0.998	2316.0	WIR70061STRBARE

Special order sizes available upon request

Wire and Grounding

Ground Rods

Nominal Diameter x Length	Type	Weight Per 100	Item No.
5/8" x 8'	Copper	696	HDW058GR
5/8" x 8'	Galvanized	900	HDW058GRGL
5/8" x 8'	Stainless Steel	832	HDW058GRSS
5/8" x 10'	Copper	870	HDW05810GR
5/8" x 10'	Stainless Steel	1040	HDW05810GRSS
3/4" x 8'	Copper	1024	HDW0348GR
3/4" x 8'	Galvanized	1200	HDW0348GRG
3/4" x 8'	Sectional	1024	HDW0348GRS
3/4" x 8'	Stainless Steel	1200	HDW0348GRSS
3/4" x 10'	Copper	1280	HDW034GR
3/4" x 10'	Sectional	1280	HDW034GRS
3/4" x 10'	Stainless Steel	1500	HDW034GRSS

Other hardware and special order items also available upon request



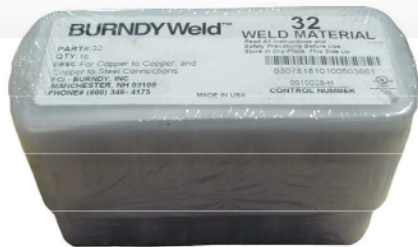
Wire and Grounding

Exothermic Grounding

Weld Metal

Weld Metal is for welding copper to copper or copper to another metal. It is packed in moisture-resistant plastic cartridges that have tight fitting caps. These cartridges, along with the necessary steel discs, are then packed in boxes that are hermetically-sealed.

This ensures that the powder stays dry and in good condition for fast ignition.



Cartridge Size	Cartridges Per Box	Item No.	Steel Discs Only	Package Quantity	Item No.
15	20	BUR15	3/4"	20	BURB37032001
25	20	BUR25	3/4"	20	BURB37032001
32	10	BUR32	3/4"	20	BURB37032001
45	20	BUR45	3/4"	20	BURB37032001
65	20	BUR65	3/4"	20	BURB37032001
90	10	BUR90	1"	10	BURB37032002
115	10	BUR115	1"	10	BURB37032002
150	10	BUR150	1 1/2"	10	BURB37032003
200	10	BUR200	1 1/2"	10	BURB37032003
250	10	BUR250	1 1/2"	10	BURB37032003
500	10	BUR500	1 1/2"	10	BURB37032003

* These cartridges are sold in box quantities only.

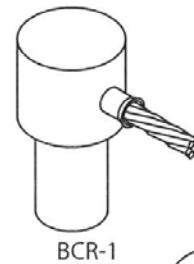
Wire and Grounding

Exothermic Grounding

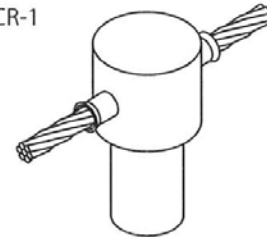
Type	Ground Rod Size	Cable Size		Item No.
		Solid	Stranded	
BCR-1	1/2"	#6, #8	#8	BURBS2009
BCR-1	1/2"	#3, #4	#4, #6	BURBS2010
BCR-1	1/2"	#1, #2	#2, #3	BURBS2011
BCR-1	5/8"	#6, #8	#8	BURBS2012
BCR-1	5/8"	#3, #4	#4, #6	BURBS2013
BCR-1	5/8"	#1, #2	#2, #3	BURBS2014
BCR-1	5/8"	2/0, 1/0	1/0, #1	BURBS2015
BCR-1	5/8"	N/A	2/0	BURBS2016
BCR-1	3/4"	#6, #8	#8	BURBS2017
BCR-1	3/4"	#3, #8	#4, #6	BURBS2018
BCR-1	3/4"	#1, #2	#2, #3	BURBS2019
BCR-1	3/4"	2/1, 1/0	1/0, #1	BURBS2020
BCR-1	3/4"	N/A	2/0	BURBS2021
BCR-2	1/2"	#6, 8	#8	BURBS2024
BCR-2	1/2"	#3, #4	#4, #6	BURBS2025
BCR-2	1/2"	#1, #2	#2, #3	BURBS2026
BCR-2	5/8"	#6, #8	#8	BURBS2027
BCR-2	5/8"	#3, #4	#4, #6	BURBS2028
BCR-2	5/8"	#1, #2	#2, #3	BURBS2029
BCR-2	5/8"	2/0, 1/0	1/0, #1	BURBS2030
BCR-2	3/4"	#6, #8	#8	BURBS2031
BCR-2	3/4"	#3, #4	#4, #6	BURBS2032
BCR-2	3/4"	#1, #2	#2, #3	BURBS2033
BCR-2	3/4"	2/0, 1/0	1/0, #1	BURBS2034
BCR-24	5/8"	#6, #8	#8	BURBS2105
BCR-24	5/8"	#3, #4	#4, #6	BURBS2106
BCR-24	5/8"	#1, #2	#2, #3	BURBS2107
BCR-24	3/4"	#6, #8	#8	BURBS2108
BCR-24	3/4"	#3, #4	#4, #6	BURBS2109
BCR-24	3/4"	#1, #2	#2, #3	BURBS2110
BCR-25	5/8"	#6, #8	#8	BURBS2006
BCR-25	5/8"	#3, #4	#4, #6	BURBS2007
BCR-25	5/8"	#1, #2	#2, #3	BURBS2008
BCR-25	3/4"	#6, #8	#8	BURBS2068
BCR-25	3/4"	#3, #4	#4, #6	BURBS2069
BCR-25	3/4"	#1, #2	#2, #3	BURBS2070

Single Shot Molds

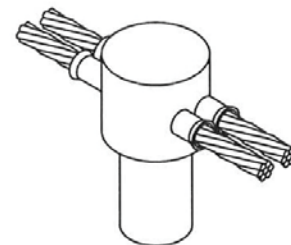
Single Shot Molds are used for making cable connections onto the top of a ground rod. These molds can be used once and come with everything except the Flint Igniter.



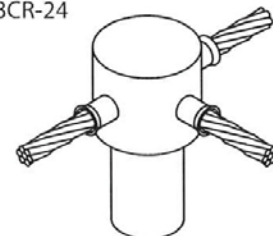
BCR-1



BCR-2



BCR-24



BCR-25



Wire and Grounding

Exothermic Grounding

Molds

Horizontal End to End

- Used for horizontal end to end cable connections.
- They are for solid or concentric stranded copper conductors.



Cable	Weld Metal	Item No.
#2	32	BURB5625
4/0	90	BURB208

Horizontal Cable Tap to Horizontal Cable Run

Cable		Weld Metal	Item No.
Run	Tap		
2/0	2/0	90	BURB232
3/0	3/0	115	BURB236
4/0	4/0	150	BURB241
4/0	2/0	90	BURB243



*Other sizes available upon request.

- Used for horizontal ca- ble tap to horizontal ca- ble run.
- They are used for solid or concentric stranded copper conductors.



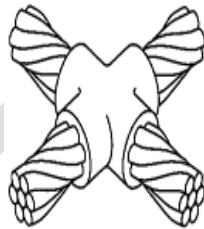
Wire and Grounding

Exothermic Grounding

Molds

Horizontal to Horizontal Cable Cross

- Used to join two horizontal cables to right angles.
- One cable is cut and the other is one piece.
- They are for solid or concentric stranded copper conductors.



Cable		Weld Metal	Item No.
Run	Tap		
4/0	4/0	200	BURB443

Horizontal to Horizontal Cable Cross

Cable		Weld Metal	Item No.
Run	Tap		
4/0	4/0	250	BURB2707



- Used to join uncut horizontal cables at right angles to each other.
- They are for solid or concentric stranded copper conductors.



*Other sizes available upon request.

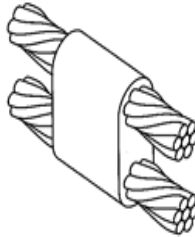
Wire and Grounding

Exothermic Grounding

Molds

Horizontal Parallel through Cables

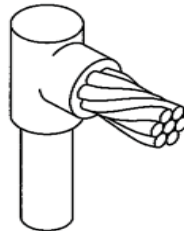
- Used to join two horizontal parallel through run cables.
- The cables lay parallel on top of each other in the mold.
- They are for solid or concentric stranded copper conductors.



Cable		Weld Metal	Item No.
Run	Tap		
2/0	2/0	115	BURB1322

Horizontal Cable Terminal to Ground Rod

Cable		Weld Metal	Item No.
Ground Rod	Tap		
5/8"	4/0	90	BURB508
3/4"	2/0	90	BURB516
3/4"	4/0	90	BURB518



- Used to terminate horizontal copper cable at the top of a vertical ground rod.
- They are for solid or concentric stranded copper conductors.

*Other sizes available upon request.



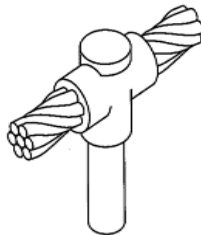
Wire and Grounding

Exothermic Grounding

Molds

Horizontal Cable to Ground Rod

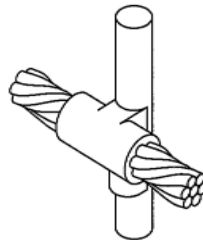
- Used to join two horizontal through copper cable to the top of a vertical ground rod.
- They are for solid or concentric stranded copper conductors.



Ground Rod	Cable		Weld Metal	Item No.
	Tap			
5/8"	2/0		115	BURB548
5/8"	4/0		115	BURB550
3/4"	2/0		115	BURB559
3/4"	4/0		115	BURB561

Horizontal Thru Cable to Ground Rod

Ground Rod	Cable		Weld Metal	Item No.
	Tap			
5/8"	4/0		150	BURB1588
3/4"	4/0		150	BURB1596



- Used to join horizontal through run cable to the side of a vertical ground rod.
- They are for solid or concentric stranded copper conductors.



*Other sizes available upon request.

Wire and Grounding

Exothermic Grounding

Molds

Horizontal Cable to Horizontal Steel Surface

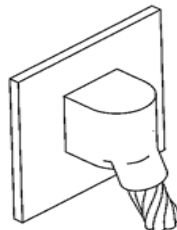
- Used to terminate a horizontal copper cable to any horizontal steel surface.
- The cable does not touch the surface.
- They are for solid or concentric stranded copper conductors.



Cable Size	Weld Metal	Item No.
4/0	115	BURB647

Angular Cable Drop to Vertical Steel Surface

Cable Size	Weld Metal	Item No.
2/0	90	BURB591
4/0	115	BURB593



- Used to join the end of a copper cable at a 45 degree angle to a vertical steel surface.
- They are for solid or concentric stranded copper conductors.

*Other sizes available upon request.



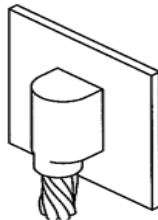
Wire and Grounding

Exothermic Grounding

Molds

Vertical Cable Drop to Vertical Steel Surface

- Used to join vertical drop down to a vertical steel surface.
- The cable is off the surface.
- They are for solid or concentric stranded copper conductors.



Cable Size	Weld Metal	Item No.
2/0	115	BURB2540
4/0	150	BURB8718

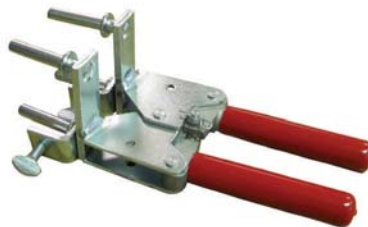


*Other sizes available upon request.

Handle Clamps

Handle clamps are used for holding several different sizes and types of molds.

Part # :
BURB106
BURB107



Chain Clamps

Chain clamps are used to hold a mold in position on a horizontal pipe up to 4" in diameter.

Part # BURB10632

Wire and Grounding

Exothermic Grounding

Cleaners

Cable Cleaning Brush

Cable cleaning brushes are used for cleaning heavily oxidized cables. The brushes are in a V-shape to allow use on a wide range of cable sizes.



Part # BURB38013500

Mold Cleaners

Mold cleaners are used to clean the slag from molds that are not split through the crucible.

Part # :
BURB40031901 (for molds #15 - #65)
BURB40031903 (for molds #90 - #500)

Other

Tools

- Mold cleaning brush - Part # BURB38392200
- Wire brush - Part # BURB38030500
- Card cloth brush - Part # BURB38030600

Shim Stock

The shim stock wraps around the cable until the diameter is about equal to the cable opening. It prevents leakage of weld metal.

Part # BURB38032900

Flint Igniter

The flint igniter is used to ignite the starting powder. It allows the installer to keep a safe distance when lighting the powder.

Part # :
BURB38030900 - Flint Igniter
BURB38030901 - Flint Replacement



Wire and Grounding

Threaded Ground Bushings

- Threaded with aluminum lay-in lug
- UL temperature rating of 150° Celsius
- Insulating liner material is UL V-O Rated
- Tough plastic liner
- Will not chip, crack, swell, or shrink
- Low surface friction
- Resistant to corrosion, chemicals, and extreme temperatures



Conduit Size	Grounding Min.	Wire Size Max.	Max. Diameter w/out Lug	Maximum Height	Turning Radius With Lug	Item No.
1/2"	14	4	1 ^{3/16}	7/16	1 ^{3/16}	GL050GB
3/4"	14	4	1 ^{7/16}	1/2	1 ^{5/16}	GL075GB
1"	14	4	1 ^{3/4}	9/16	1 ^{7/16}	GL100GB
1 1/4"	14	4	2 ^{1/8}	5/8	1 ^{5/8}	GL125GB
1 1/2"	14	2	2 ^{5/16}	11/16	1 ^{3/4}	GL150GB
2"	14	2	2 ^{13/16}	3/4	2	GL200GB
2 1/2"	14	2/0	3 ^{3/8}	7/8	2 ^{1/2}	GL250GB
3"	14	2/0	4 ^{1/16}	1 ^{5/16}	2 ^{13/16}	GL300GB
3 1/2"	14	2/0	4 ^{1/2}	1	3 ^{1/16}	GL350GB
4"	14	2/0	5 ^{3/16}	1 ^{1/16}	3 ^{3/8}	GL400GB
5"	14	2/0	6 ^{1/16}	1 ^{1/4}	3 ^{7/8}	GL500GB
6"	14	2/0	7 ^{1/4}	1 ^{5/16}	4 ^{7/16}	GL600GB

Wire and Grounding

Threadless Ground Bushings

- Set-screw with aluminum lay-in lug
- UL temperature rating of 150° Celsius
- Insulating liner material is UL V-O Rated
- Tough plastic liner
- Will not chip, crack, swell, or shrink
- Low surface friction
- Resistant to corrosion, chemicals, and extreme temperatures
- Can be locked in any desired



Conduit Size	Grounding Min.	Wire Size Max.	Max. Diameter w/out Lug	Maximum Height	Turning Radius With Lug	Item No.
1"	14	4	1 ^{3/4}	9/16	1 ^{7/16}	GL100GBT
1 ^{1/2} "	14	4	2 ^{5/16}	11/16	1 ^{3/4}	GL150GBT
2"	14	4	2 ^{13/16}	3/4	2	GL200GBT
2 ^{1/2} "	14	2/0	3 ^{3/8}	7/8	2 ^{1/2}	GL250GBT
3"	14	2/0	4 ^{1/16}	1 ^{5/16}	2 ^{13/16}	GL300GBT
4"	14	2/0	5 ^{3/16}	1 ^{1/16}	3 ^{3/8}	GL400GBT

Wire Pulling Accessories

Polypropylene Rope (Yellow)

1. Diameter is approximate and is actually determined by linear density. (Pounds per 100')
2. Linear Density is considered average weight per 100'. Tolerances: 3/16"-5/16" diameters inclusive $\pm 10\%$; 3/8" - 9/16" inclusive $\pm 8\%$ and 5/8" and up $\pm 5\%$. (+ plus, - minus.)
3. New rope Minimum Breaking Strength is based on data from a number of manufacturers and represents a value of 3 standard deviations below the mean, established by regression analysis.
4. For critical applications, where life or limb or Dynamic Loading is present, the higher ratio division.
Example; 10,000 pounds / 12 = 833 pounds working load ratio.



Approx. Dia. (1) (in)	Length (ft)	Linear Density (2) Approx. LBS Per 100'	Minimum Breaking Force (3) (lbs)	Working Load Ratio (4) Range Ratio	Item No.
1/8	3,000	.333	300	5-12 to 1	ROPE0183000
3/16	3,000	0.65	650	5-12 to 1	ROPE3163000
3/16	3,600	0.65	650	5-12 to 1	ROPE3163600
3/16	5,000	0.65	650	5-12 to 1	ROPE3165000
3/16	6,000	0.65	650	5-12 to 1	ROPE3166000
1/4	2,000	1.15	1,125	5-12 to 1	ROPE0252000
1/4	2,400	1.15	1,125	5-12 to 1	ROPE0252400
1/4	3,000	1.15	1,125	5-12 to 1	ROPE0253000
1/4	4,000	1.15	1,125	5-12 to 1	ROPE0254000
1/4	5,000	1.15	1,125	5-12 to 1	ROPE0255000
1/4	6,500	1.15	1,125	5-12 to 1	ROPE0256500
5/16	1,200	1.80	1,710	5-12 to 1	ROPE5161200
3/8	1,200	2.60	2,430	5-12 to 1	ROPE0381200
3/8	2,000	2.60	2,430	5-12 to 1	ROPE0382000
3/8	2,500	2.60	2,430	5-12 to 1	ROPE0382500
3/8	3,000	2.60	2,430	5-12 to 1	ROPE0383000
3/8	3,600	2.60	2,430	5-12 to 1	ROPE0383600
3/8	5,000	2.60	2,430	5-12 to 1	ROPE0385000
1/2	1,200	4.60	3,780	5-12 to 1	ROPE0501200
1/2	3,000	4.60	3,780	5-12 to 1	ROPE0503000
3/4	1,800	10.4	7,650	5-12 to 1	ROPE0751800



Continental Western Corporation

Wire Pulling Accessories

Conduit Blow Line Jetline



- Strong monofilament polypropylene blow twine
- Ties easily and holds a knot well
- Used as blow line and cable tying twine

Feet	Approximate Tensile lbs.	Color	Quantity	Item No.
6,500	210	White/Blue	Boxed	ROPEJETLINE
6,500	210	White/Blue	Bucket	ROPEJETLINEB



Continental Western Corporation

Wire Pulling Accessories



Pull Tape

Polyester MULETAPE® offers the following benefits:

- Provides a lower coefficient of friction than competitive tapes due to:
 - Special Pre-lubrication
 - Low friction, high abrasion resistant yarns
- Available with accurate sequential footage or meter markings
- Furnished in convenient reel lengths up to 100,000 feet or 31 km
- Packaged on sturdy wooden reels
- Provides a much softer feel than stiff coated competitive tapes for easier and more comfortable handling by linemen.



Strength (lbs. /kg)	Typical Bowline Strength (lbs. /kg)	Typical Knot Strength (lbs. /kg)	Reel Length (ft)	Approx. Width	Item No.
1250/568	760/345	900/409	3,000	1/2"	ROPEMT30001250
1250/568	760/345	900/409	10,000	1/2"	ROPEMT100001250
1800/818	830/377	1400/636	3,000	5/8"	ROPEMT30001800
1800/818	830/377	1400/636	5,000	5/8"	ROPEMT50001800
1800/818	830/377	1400/636	10,000	5/8"	ROPEMT100001800
2500/1136	1300/591	1800/818	3000	3/4"	ROPEMT30002500

Other lengths and strengths available upon request. Polyester MULETAPE® is also available unprinted. Please contact your SAF-T-CO Supply representative for details.



Wire Pulling Accessories

Missiles and Projectiles

LINE MISSILES

Fast and efficient plastic missiles for fishing with high-speed blowers even in out-of-round duct. Missile will travel over minor obstructions in duct.
Part Duct Size Max O.D.



Duct Size		Max O.D.		Item No.
(in)	(mm)	(in)	(mm)	
2	51	2.06	52	HDW200MISSILE
3	76	3.06	78	HDW300MISSILE
3 ^{1/2}	89	3.56	90	HDW350MISSILE
4	102	4.06	103	HDW400MISSILE
5	127	5.06	129	HDW500MISSILE
6	152	6.06	154	HDW600MISSILE

INFLATABLE MISSILES



Rip-stop nylon bag conforms to cable-occupied ducts. One missile can be used in a variety of duct sizes. Easy pull-back.

Duct Size		Item No.
(in)	(mm)	
3/4 - 1 ^{1/4}	19 - 32	HDW075125IM
1 ^{1/2} - 2 ^{1/2}	38 - 64	HDW150250IM
3 - 4	76 - 102	HDW300400IM
4 - 6	102 - 152	HDW400600IM

Wire Pulling Accessories

Missiles and Projectiles

DUCT PROJECTILE

Flexible rubber cones are durable for many repeated uses. Fast and efficient for long runs with easy pull-back



Duct Size		Max O.D.		Item No.
(in)	(mm)	(in)	(mm)	
2	50	2.00	56	HDW200PROJ
2 ^{1/4}	56	2.20	50	HDW225PROJ
2 ^{1/2}	64	2.50	64	HDW250PROJ
3	76	3.00	76	HDW300PROJ
3 ^{1/2}	89	3.50	89	HDW350PROJ
4	102	4.00	102	HDW400PROJ
4 ^{1/4}	108	4.25	108	HDW425PROJ
4 ^{1/2}	115	4.51	115	HDW450PROJ
5	127	5.00	127	HDW500PROJ
6	152	6.00	152	HDW600PROJ

Wire Pulling Accessories

Pulling Lube

Polywater® Cable Placing Lubricant

Dyna-Blue®

Heavy Duty Cable Pulling Lubricant

FEATURES

- Clean-Easy to Use
- Temperature Stable-No Waste
- Stays Slippery-Won't Dry Out
- Safe-Use With All Cables
- Lower Cost
- UL and CSA Listed



Dyna-Blue® lubricant is harmless to humans, environmentally safe, compatible with cable jacket materials and exceptionally easy to work with.

Polywater® Lubricant F Fiber Optic Cable Lubricant

FEATURES

- Easy to pour into innerducts and feeder tubes
- Superior friction reduction for lower tension pulls
- Compatible with cable jackets, including PE types
- Wets out and covers PE jackets to thoroughly lubricate long pulls
- Slow drying with lubricious residue for lasting lubrication



Polywater F® lubricant is a pourable liquid lubricant recommended for long, difficult, light cable pulls.

Wire Pulling Accessories

Polywater® Cable Placing Lubricant

Polywater® Lubricant J

High Performance Wire & Cable Pulling Lubricant
for Heavy Cable Installations

FEATURES

- Maximum friction reduction
- Clean and non-staining
- Compatible with all cables
- UL and CSA listed
- Non-combustible residue
- High cling factor

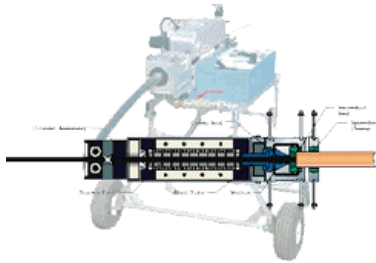


Polywater J® lubricant is a specification-grade lubricant that does not promote flame propagation when used with fire-retardant cable systems.

Size	% Non-volatile Solids	Appearance	Temperature Range	Cleanup	Item No.
Dyna-Blue					
5-Gallon Pail	2.5 to 3.5%	Thick, light-blue gel material	20°F to 140°F (-5°C to 60°C)	Complete cleanup possible with water	HDWD640
1-Gallon Pail					HDWD128
1-Quart Bottle					HDWD035
Polywater® Lubricant F					
5-Gallon Pail	4.5 TO 5.5%	Transparent to slightly opaque, orange-colored, stringy liquid material	20°F to 110°F (-5°C to 45°C)	Complete cleanup possible with water	HDWF640
2-1/2 Gallon Jug					HDWF320
1-Gal Pail					HDWF128
1-Quart Bottle					HDWF035
Polywater® Lubricant J					
5-Gallon Pail	3.5 to 5.5%	Thick, cream colored gel material	20°F to 120°F (-5°C to 50°C)	Complete cleanup possible with water	HDWJ640
1-Gal Pail					HDWJ128
1-Quart Bottle					HDWJ035

Wire Pulling Accessories

Fiber Optic Cable Blowers



- Install 300 feet of fiber optic cable per minute (90m/min) with a fiber optic cable blower.
- A missile is always attached to the front of the cable.
- Compressed air propels the missile and cable through the air-tight sealed duct in a matter of seconds.



Hydraulic System Requirements	Hydraulic Operating Pressure	1500 psi (103 bar) maximum
	Hydraulic Flow	<ul style="list-style-type: none"> • 8 gpm (30 lpm) maximum
	Hydraulic Circuit Type	Open Center
Air Compressor Requirements	Pneumatic Flow Capacity	135 psi (9.3 bar) maximum
	Required Flow Capacity	<ul style="list-style-type: none"> • 175 scfm (5 m3/min) minimum • 375 scfm (11 m3/min) maximum
Operational Capacities	Pushing Force	150 lbs (667 N) maximum
	Pushing Speed	300 ft/min (91 m/min) maximum
	Cable Sizes	3/8" to 1 1/4" (10 mm to 32 mm)
	Standard Duct Sizes (other sizes available)	<ul style="list-style-type: none"> • 1, 1^{1/4}, 1^{1/2}, and 2", SDR 11 and 13.5 • (25, 32, 38 and 51 mm, SDR 11 and 13.5)
	Typical Installation Distances	4000 - 12,000 ft (1200 - 3700m)
Distance and Speed Displays (Blower Packages 1, 2, 3, 4)	External Power Requirements	No external power required
	Display Unit	Digital LCD Display
Electronic Control System (Blower Packages 5, 6, 7, 8)	External Power Requirements	12 volts DC
	Automatic Shutdowns	At programmed minimum and maximum speed
	Display Unit	Digital LCD Display
Physical Specifications (Blower Packages 2, 4, 6, 8)	Height 42"	(107 cm)
	Length 39"	(99 cm)
	Width 39"	(99 cm)
	Weight 178 lbs.	(80 kg)

Wire Pulling Accessories

The **Power Dart® Blower** is a pneumatic rodding system especially suited for long duct runs. A three-motor system allows you to choose the right speed for your needs.

- With all three motors engaged, the Power Dart Blower will deliver up to 300 cfm (8.5 m³/min) of air or 3 psi (.2 bar) max. pressure, easily blowing 1/2 " (13 mm) poly line or measuring tape over 2,000 feet (610 m) in conduit up to 6 inches (152 mm) in diameter.
- The complete kit comes with 25 feet (7.6 m) of air hose, an assortment of conduit seal-offs, and an assortment of missiles.
- Weighs only 31 pounds (14 kg) and operates at 110 or 220 Volts.
- 110 Volt model includes a 30 amp twist plug.
- The 220 Volt model is supplied without a plug. Requires a 3,000 Watt generator.



FIBER OPTIC CABLE PULLERS

The CONDUX fiber optic cable pullers consist of a 30" diameter capstan, hydraulic motor, variable speed foot control, manual flow control valve for adjusting maximum speed and a manually adjustable pressure relief valve for adjusting the ultimate pull tension. A footage counter is also included. Optional features are also available.

Ask your Saf-T-Co Supply representative for product literature.



SPECIFICATIONS

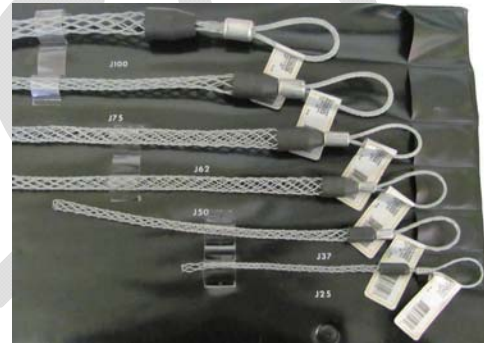
	12 in (305 mm) Diameter Capstan		30 in (762 mm) Diameter Capstan		50 in (1270 mm) Diameter Capstan	
Pulling Force	lbs	kN	lbs	kN	lbs	kN
Maximum	2,000	8.9	1,000	4.4	600	2.7
Continuous	2,000	8.9	1,000	4.4	600	2.7
Pulling Speed	ft/min	m/min	ft/min	m/min	ft/min	m/min
No Load	93.9	28.6	240.0	73.2	391.4	119.3
At Maximum Force	93.9	28.6	240.0	73.2	391.4	119.3
POWER REQUIREMENTS						
Pressure	2,000 to 2,500 psi (137 to 172 bar)					
Flow	6 to 10 gpm (22.7 to 37.9 lpm)					
Peak Power	8 HP (5.97 kw)					

Wire Pulling Accessories

Pulling Grips

Junior Grip Kit

Junior Pulling Grips feature a strong galvanized steel, single weave mesh. A flexible eye easily attaches to a pulling line, snake or fish tape. Junior Grips are safe tools to use in pulling wire at a low tension through conduit during electrical construction.



Cable Diameter	Approximate Breaking Strength (lbs.)	Eye Length (in.)	Mesh Length at Nominal Diameter (in.)	Item No.
.25 - .36	450	3 ^{1/4}	4 ^{1/4}	CNX08643200
.37 - .49	900	3 ^{3/4}	7	CNX08643200
.50 - .61	1,300	4 ^{1/4}	8 ^{1/2}	CNX08643200
.62 - .74	1,950	5	10	CNX08643200
.75 - .99	2,800	5 ^{3/4}	10	CNX08643200
1.00 - 1.24	3,900	6 ^{1/2}	11 ^{1/2}	CNX08643200



Wire Pulling Accessories

PE & PVC Pulling Eyes



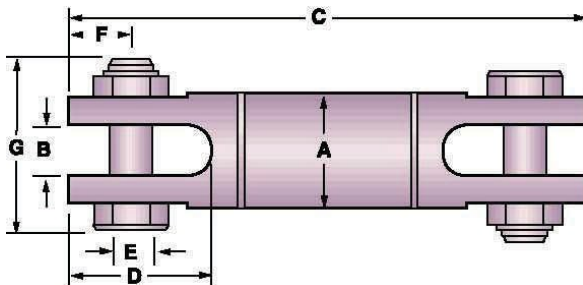
Condux PE & PVC Pulling Eyes feature an extremely rigid center rod to prevent bending and a steel tapered lead cone with the same OD as the conduit. This design feature protects the outer leading edge of the conduit. They also feature split gripping segments with aggressive gripping threads coupled with a steel expander plug that better grips the full range of conduit I.D.'s.



Nominal Size	Duct I.D. Range		Length inches	Item No.
	inches	mm		
2"	1.88 - 2.15	48 - 55	8.18	CNX08220020
3"	2.69 - 3.13	68 - 79	11.89	CNX08220030
4"	3.50 - 4.06	89 - 103	14.11	CNX08220040
5"	4.25 - 5.06	108 - 129	18.45	CNX08220050

Directional Drilling Swivels

Working Load (lbs)		A (in)	B (in)	C (in)	D (in)	E (in)	F (in)	G (in)	Item No.
Tension	Compression								
8,500	2,800	1 ^{5/8}	.63	6.85	1.59	.56	.78	2.36	CNX08190016
10,000	3,300	2	.75	7.83	1.81	.63	.75	2.89	CNX08190020
20,000	6,600	2 ^{1/2}	1.00	10.93	2.84	.88	1.25	3.67	CNX08190025
30,000	10,000	3	1.31	12.75	3.56	1.13	1.37	4.50	CNX08190030
45,000	15,000	4	1.63	15.25	4.00	1.25	1.84	5.58	CNX08190040
60,000	20,000	4 ^{5/8}	1.75	17.48	4.62	1.50	2.13	6.31	CNX08190045
90,000	30,000	6	2.00	18.27	4.50	1.75	2.18	6.59	CNX08190060
120,000	40,000	8	2.25	21.71	5.25	2.00	2.50	8.25	CNX08190080



Other Swivels and Pulling Eyes available. Contact your Saf-T-Co Supply representative for details.



Wire Pulling Accessories

DUCT RODDERS



Condux duct rodders combine ease of operation and reliable performance to help increase the efficiency of your rodding operations.

Condux duct rodder cages have been designed to be lighter weight for easy handling in the field. They feature sturdy construction and a hand-operated wheel brake. They can be used on their side as well as upright. 30" (762 mm) and 45" (1,143 mm) cages come with flotation wheels for added mobility. Cage sizes are matched to suit the rod you order.

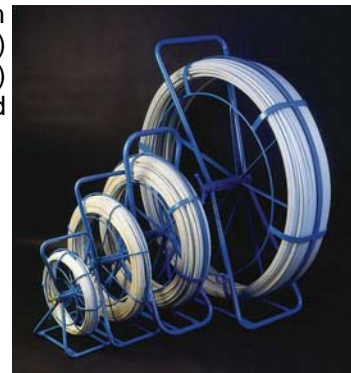
3 Types of Rod

COBRA®: Cobra is Condux's highest quality rod, designed for heavy-duty applications. It gets its extra strength from a unique construction process that ensures greater rigidity and strength, enabling it to endure the additional force required for long duct runs with multiple bends and sweeps. A braided wrap reinforcing fibers increases its rigidity and helps bond the core with the outer plastic coating. The coating is made from a polymer blend for greater toughness and superior abrasion resistance to ensure extra long life. Includes on male and one female end fitting, and a tapered head.

PYTHON®: Condux's Python rod is best suited for less demanding applications. It has strength properties similar to the Cobra rod, but is more flexible. Also, like the Cobra, it has a heavy-duty outer plastic coating to resist abrasions and reduce wear. Includes on male and one female end fitting, and a tapered head.

MINI-COBRA®: The Mini-Cobra rod includes the 3/16" (5mm) and 1/4" (6mm) diameter rods used primarily for smaller duct sizes and shorter runs. The rods has the same flexibility and strength features of the Python rod and comes wound in 16" (406mm) and 24" (610mm) cages in 50' (25m) to 600' (200m) lengths. Includes two male end fittings and two tapered heads.

Conduit Sizes in (mm)	Recommended Duct Rod Size in (mm)
1/2 (13)	3/16 (5)
3/4 (19)	3/16 (5)
1 (25)	3/16, 1/4 (5, 6)
1 1/4 (32)	3/16, 1/4 (5, 6)
1 1/2 (38)	1/4, 5/16 (6, 8)
2 (51)	1/4, 5/16 (6, 8)
2 1/2 (64)	1/4, 5/16 (6, 8)
3 (76)	5/16, 7/16, 9/16 (8, 11, 13)
3 1/2 (89)	5/16, 7/16, 9/16 (8, 11, 13)
4 (102)	5/16, 7/16, 9/16 (8, 11, 13)
5 (127)	7/16, 9/16 (11, 13)
6 (152)	7/16, 9/16 (11, 13)
8 (203)	9/16 (13)



Wire Pulling Accessories

Aluminum Mandrels

Aluminum mandrels are designed to verify the integrity of installed conduit and may also be used to remove small amounts of debris.



Conduit Type	Conduit Size	O.D. Inches	Length Inches	Shipping Weight LBS	Item No.
DB / Schedule 40	1"	.7500	6	2	HDW100DBMAN
	1 1/4"	.9375	6	2	HDW125DBMAN
	2"	1.750	6	2	HDW200DBMAN
	2 1/2"	2.250	6	2	HDW250DBMAN
	3"	2.750	6	2	HDW300DBMAN
	3 1/2"	3.250	6	2	HDW350DBMAN
	4"	3.750	6	3	HDW400DBMAN
	5"	4.750	6	3	HDW500DBMAN
Schedule 80	6"	5.750	6	4	HDW600DBMAN
	2"	1.50	6	2	HDW20080MAN
	3"	2.375	6	2	HDW30080MAN
	4"	3.400	6	3	HDW40080MAN
	5"	4.400	6	3	HDW50080MAN
	6"	5.263	6	4	HDW60080MAN

Aluminum mandrels for Telephone duct, and flexible mandrels also available

Wire Pulling Accessories



Wire Brush Mandrels

Wire Brush mandrels are designed to remove sand, grit and other light obstructions from the duct.



Duct Size		Body Length		Max O.D.		Item No.
(in)	(mm)	(in)	(mm)	(in)	(mm)	
1 ^{1/4}	32	4.25	108	1.00	25	CNX08028904
1 ^{1/2}	38	4.25	108	1.25	32	CNX08028905
2	51	4.25	108	1.75	44	HDW200WBM
2 ^{1/2}	64	4.25	108	2.25	57	CNX08046000
3	76	5.50	140	2.75	70	HDW300WMB
3 ^{1/2}	89	5.00	127	3.25	82	CNX08067200
4	102	6.75	171	3.75	95	HDW400WBM
5	127	6.50	165	4.75	121	HDW500WBM
6	152	6.75	171	5.75	146	HDW600WBM

Heavy Duty Wire Brush Mandrels

Duct Size		Body Length		Max O.D.		Item No.
(in)	(mm)	(in)	(mm)	(in)	(mm)	
2	51	3.50	89	1.75	44	CNX08029104
2 ^{1/2}	64	4.25	108	2.25	57	CNX08046001
3	76	5.25	140	2.75	70	CNX08067101
3 ^{1/2}	89	5.25	127	3.25	82	CNX08067201
4	102	5.25	171	3.75	95	CNX08029001
5	127	5.00	165	4.75	121	CNX08029101
6	152	5.00	171	5.75	146	CNX08029105

Aluminum mandrels for Telephone duct, and flexible mandrels also available

Wire Pulling Accessories

CABLE FEEDING SHEAVES

Plugs into conduit in manhole wall, guiding cable safely into the conduit regardless of the pulling angle. Replacement Sheaves available.

Size		A		I.D.		O.D.		Load Capacity		Item No.
(in)	(mm)	(in)	(mm)	(in)	(mm)	(in)	(mm)	(lbs)	(N)	
1 ^{1/2}	38	1.04	26	1.25	32	1.44	37	1,500	6,672	CNX08617215
2	51	1.38	35	1.75	44	1.95	50	2,600	11,565	CNX08617220
2 ^{1/2}	63	1.44	37	2.16	55	2.40	61	2,600	11,565	CNX08617225
3	76	2.25	57	2.62	67	2.95	75	4,800	21,350	CNX08617230
3 ^{1/2}	89	2.75	70	3.00	76	3.38	86	4,800	21,350	CNX08617235
4	102	3.00	76	3.50	89	3.95	100	6,500	28,912	CNX08617200
4	102	3.00	76	3.25	83	3.65	93	6,500	28,912	CNX08617340
5	127	3.75	95	4.50	114	4.90	125	6,500	28,912	CNX08617250
6	114	4.50	114	5.37	136	5.90	150	6,500	28,912	CNX08617260
6	114	4.50	114	5.00	127	5.56	141	6,500	28,912	CNX08617360
8	203	6.00	152	7.18	182	7.94	202	6,500	28,912	CNX08617280



Other cable guides available. Ask your Saf-T-Co Supply representative for details.

Miscellaneous

Cable Ties



Material	Minimum Tensile Strength (Lbs.)	Length	Width	Item No.
Black Nylon 6/6 UV	40	8"	3/20"	HDWCTB8
		11"		HDWCTB11
		14"		HDWCTB14
	120	30"	3/10"	HDWCTB30

Asphalt Patch and All Purpose Rock



Product	Lbs Per Bag	Bags Per Pallet	Item No.
Asphalt Patch	60	50	HDW20060
All Purpose 3/4" Rock	50	56	HDW10055



Miscellaneous

Construction and Survey Marking Paint

Color	Case Qty.	Can Size (oz.)	Item No.
Blue	12	20	PNTB
Clear	12	20	PNTC
Green	12	20	PNTG
Orange	12	20	PNTO
Purple	12	20	PNTP
Red	12	20	PNTR
Silver	12	20	PNTS
White	12	20	PNTW
Yellow	12	20	PNTY

- Superior upside down marking paints that are designed to clearly and effectively mark the location of underground utilities.
- These solvent-based paints will mark almost any surface, including wood, concrete, asphalt, brick, and gravel.



Water-Based Marking Paint and Chalk

Color	Case Qty.	Can Size (oz.)	Item No.
Blue	12	20	PNTCHKB
Green	12	20	PNTCHKG
Orange	12	20	PNTCHKO
Red	12	20	PNTCHKR
White	12	20	PNTCHKW
Yellow	12	20	PNTCHKY

- Non-clogging
- Safer for the environment than solvent based products.
- Over sprays can be cleaned in the first five minutes by using soap and water.
- For temporary marking where limited exposure is desired, or private property is involved.



Miscellaneous

Cold Galvanize Coatings

- PNTZRG Meets MIL-P-21035B, MIL-P-46105 and ASTM B-117-64
- PNTBG meets performance requirements of ASTM A780-93A



Color	Case Qty.	Can Size (oz.)	Item No.
Zinc Rich Galvanize	12	16	PNTZRG
Brite Galv	12	16	PNTBG

Marking Stick

- Intended for upside-down marking
- Sturdy and lightweight
- Has a single hand operation
- Convenient trigger actuator
- Cap can remain on when placed in the applicator



Miscellaneous

Caution Tape

Detectable Tape



Detectable tape is used for underground marking. It is made of APWA color-coded warning stripes with big, bold, black lettering used for identifying the type of utility line buried below. It also meets all industry standards.

Non-Detectable Tape



Non-detectable tape is used underground to prevent accidental dig-ins. It is made of a solid color, organic polyethylene film with big, bold, black lettering and meets all industry standards.

Barricade Tape



Barricade tape comes in safety yellow or danger red with big, bold, black lettering.

**Contact us for desired markings*

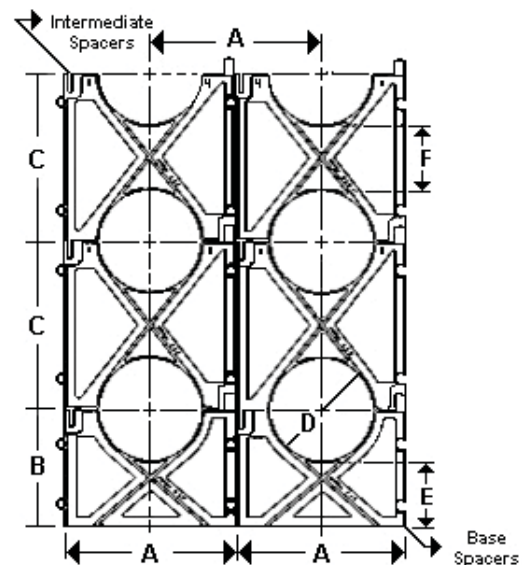
We also carry duct tape in standard silver and red.

Miscellaneous

Utility Duct Spacers

Dimension Spacer	A	B	C	D	E	F	Base Item No.	Intermediate Item No.
2 x 1 ^{1/2}	4.00	4.25	4.00	2.50	3.00	1.50	CONS200150B	CONS200150I
2 x 2	4.50		4.50			2.00	CONS200200B	CONS200200I
2 x 3	5.50		5.50			3.00	CONS200300B	CONS200300I
3 x 1 ^{1/2}	5.13	4.81	5.13	3.63	3.00	1.50	CONS300150B	CONS300150I
3 x 2	5.63		5.63			2.00	CONS300200B	CONS300200I
3 x 3	6.63		6.63			3.00	CONS300300B	CONS300300I
4 x 1	5.63	5.31	5.63	4.63	3.00	1.00	CONS400100B	CONS400100I
4 x 1 ^{1/2}	6.13		6.13			1.50	CONS400150B	CONS400150I
4 x 2	6.63		6.63			2.00	CONS400200B	CONS400200I
4 x 3	7.63		7.63			3.00	CONS400300B	CONS400300I
5 x 1 ^{1/2}	7.19	5.84	7.19	5.69	3.00	1.50	CONS500150B	CONS500150I
5 x 2	7.69		7.69			2.00	CONS500200B	CONS500200I
5 x 3	8.69		8.69			3.00	CONS500300B	CONS500300I
6 x 1 ^{1/2}	8.25	6.38	8.25	6.75	3.00	1.50	CONS600150B	CONS600150I
6 x 2	8.75		8.75			2.00	CONS600200B	CONS600200I
6 x 3	9.75		9.75			3.00	CONS600300B	CONS600300I

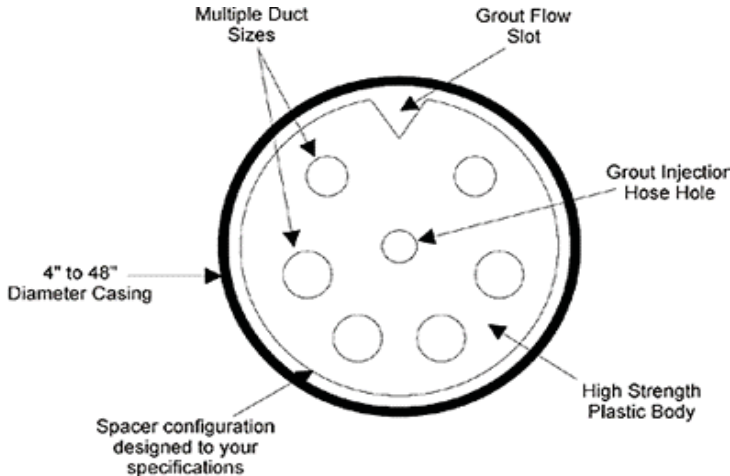
For 3^{1/2}" Duct - use 4" spacers.



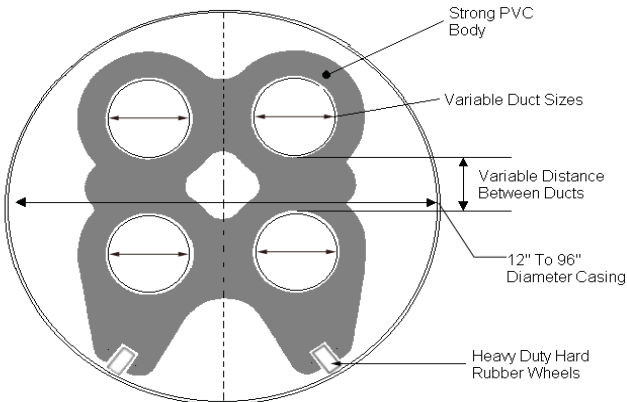
PenCell PLASTICS

Miscellaneous

Bore Spacers



All Bore Spacer are custom configured to your job specifications



STA-DOWN



STA-DOWN is easier, safer, and more economical. It is the most innovative and practical way of securing PVC conduit in a trench while it is placed in concrete or slurry. This process keeps steel stakes, EMT, or tie wire from coming in contact with the conduit which protects it from being damaged.



Miscellaneous



Low VOC PVC Solvent Cements






Description	Size	Color	Units per Case	LBS per Case	Item No.
Regular bodied, Fast setting cement for all PVC electrical conduit or any non-pressure PVC application through 4" diameter. Complies with NEMA and UL specifications.	Gal	Clear	6	54	GLUEGALCLR400
	Qt		12	28	GLUEQTCLR400
	Pt		12	15	GLUEPTCLR400
Heavy bodied, Medium setting cement for all PVC electrical conduit or any non-pressure PVC application through 12" diameter. Complies with NEMA and UL specifications.	Gal	Gray	6	54	GLUEGALGRY411
	Qt		12	28	GLUEQGTGRY411
	Pt		12	15	GLUEPTGRY411
Medium bodied, Fast setting cement for all PVC electrical conduit or any non-pressure PVC application through 6" diameter. Complies with NEMA and UL specifications.	Gal	Clear	6	54	GLUEGALCLR413
	Qt		12	28	GLUEQTCLR413
	Pt		12	15	GLUEPTCLR413
Medium bodied, Fast setting cement for all PVC electrical conduit or any non-pressure PVC application through 6" diameter. Complies with NEMA and UL specification.	Gal	Gray	6	54	GLUEGALGRY413
	Qt		12	28	GLUEQTGRY413
	Pt		12	15	GLUEPTGRY413
Medium bodied, Very Fast setting cement for all flexible PVC electrical conduit or any non-pressure PVC application through 6" diameter. Complies with NEMA and UL specifications.	Gal	Blue	6	54	GLUEGALBLU425
	Qt		12	28	GLUEQTBLU425
	Pt		12	15	GLUEPTBLU425

Miscellaneous



Primers, Applicators, and Accessories



Description	Size	Color	Units per Case	LBS per Case	Item No.
For All PVC and CPVC applications.	Gal	Purple	6	51	GLUEGALPUPP68
	Qt		12	27	GLUEQTPUPP68
	Pt		12	15	GLUEPTPUPP68
For All PVC and CPVC applications.	Gal	Clear	6	51	GLUEGALCLRP68
	Qt		12	27	GLUEGQTCLRP68
	Pt		12	15	GLUEPTCLRP68
Roll-A-Weld 3" roller for pipe diameters from 3" through 6"; fits GLUEQW empty quart paint style neck.	3"		24	7	GLUE3
Jumbo Roll-A-Weld 7" roller for pipe diameters of 6" or larger; fits GLUGW empty gallon can and cements available in wide mouth cans.	7"		20	8	GLUE7
Empty Cans 	Gal 2 7/8" neck	-	6	7	GLUEGW
	Qt 1 3/4" neck		12	4	GLUEQ
	Qt Paint style		12	4	GLUEQW
	Pt 1 3/4" neck		12	2	GLUEP

Miscellaneous

Journeyman Saw



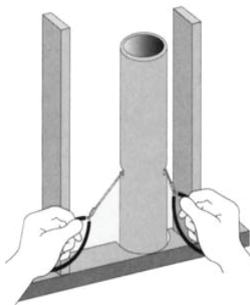
The 18" Journeyman saw is used for cutting PVC, ABS, Wood and Drywall.

We also stock the 18" Journeyman Saw Blade.

SAW OR BLADES

Features:
High speed steel
Cuts to floor level
13" or 18" blade
Set and filed teeth
Knuckle guard
Will cut:
Plastic DWV
Plastic Board
Floor Board
Studs
Masonite

Cable Saw



The cable saw is a 24" stainless steel cable used for cutting pipe and only requires a 1/4" clearance.

Miscellaneous

Blank Duct Plugs



FEATURES

- All plastic construction - Corrosion proof
- Water and airtight to 30PSI
- Simple installation
- Ideal for manholes and building entrances
- Removable and reusable

Size	Duct Inside Diameter (I.D. Range)		Standard Package Qty.	Item No.
	inches	mm		
1"	0.96 - 1.16	24 - 30	50	PVC100PLUG
1 1/4"	1.14 - 1.48	29 - 38	50	PVC125PLUG
1 1/2"	1.49 - 1.83	38 - 46	50	PVC150PLUG
2"	1.83 - 2.36	46 - 60	50	PVC200PLUG
2 1/2"	2.34 - 2.91	59 - 74	50	PVC250PLUG
3"	2.99 - 3.46	76 - 88	50	PVC300PLUG
3 1/2"	3.42 - 4.00	87 - 102	50	PVC350PLUG
4"	3.94 - 4.33	100 - 110	50	PVC400PLUG
5"	5.00 - 5.35	127 - 136	50	PVC500PLUG
6"	5.82 - 6.37	148 - 162	36	PVC600PLUG
8"	7.83 - 8.27	199 - 210	15	PVC800PLUG

Miscellaneous

F/O Simplex Duct Plugs

FEATURES

- Water-tight and Air-tight
- Simple installation around in-place cables
- Supports minimum 400 lbs of cable
- Ideal for manholes, building and cabinets



Size	Duct I.D. Range		Cable O.D. Range		Std. Pkg. (Qty.)	Item No.
	inches	mm	inches	mm		
1"	1.00 - 1.14	25.5 - 29.0	0.20 - 0.35	9.0 - 13.0	50	CONEP100S
1"	1.00 - 1.14	25.5 - 29.0	0.35 - 0.57	9.0 - 14.5	50	
1"	1.00 - 1.06	25.5 - 27.0	0.50 - 0.70	13.0 - 18.0	50	
1 1/4"	1.22 - 1.36	31.0 - 34.5	0.20 - 0.35	5.0 - 9.0	50	CONEP125S
1 1/4"	1.22 - 1.36	31.0 - 34.5	0.35 - 0.57	9.0 - 14.5	50	
1 1/4"	1.22 - 1.36	31.0 - 34.5	0.57 - 0.70	13.0 - 18.0	50	
1 1/4"	1.24 - 1.34	31.5 - 34.0	0.70 - 0.90	18.0 - 23.0	50	CONEP150S
1 1/2"	1.50 - 1.65	38.0 - 42.0	0.35 - 0.57	9.0 - 14.5	50	
1 1/2"	1.50 - 1.65	38.0 - 42.0	0.50 - 0.70	13.0 - 18.0	50	
1 1/2"	1.50 - 1.65	38.0 - 42.0	0.70 - 0.90	18.0 - 23.0	50	
1 1/2"	1.54 - 1.65	38.0 - 42.0	0.90 - 1.10	23.0 - 28.0	50	
1 1/2"	1.57 - 1.73	40.0 - 44.0	0.70 - 0.90	18.0 - 23.0	50	
1 1/2"	1.57 - 1.73	40.0 - 44.0	0.90 - 1.10	23.0 - 28.0	50	CONEP200S
2"	1.98 - 2.20	50.0 - 55.5	0.20 - 0.35	5.0 - 9.0	50	
2"	1.98 - 2.20	50.0 - 55.5	0.35 - 0.57	9.0 - 14.5	50	
2"	1.98 - 2.20	50.0 - 55.5	0.50 - 0.70	13.0 - 18.0	50	
2"	1.98 - 2.20	50.0 - 55.5	0.70 - 0.90	18.0 - 23.0	50	

**Larger Simplex Duct Plugs
Also Available**

Miscellaneous

Expandable Duct Plugs

FEATURES

- All-plastic, corrosion-proof construction
- Eye-nut handle makes for easy fitting and removal
- Round and square sizes available
- All plugs feature pull-rope loop attachment
- Protect cable before it's placed



Size inches	Duct Range Inside Diameter (I.D.)		Standard Package Quantity	Item No.
	inches	mm		
0.7	0.71-1.02	18-26	50	CON070EXP
1	0.96-1.16	24-30	50	CON100EXP
1 ^{1/4}	1.14-1.48	29-38	50	CON125EXP
1 ^{1/2}	1.49-1.83	38-46	50	CON150EXP
2	1.83-2.36	46-60	50	CON200EXP
2 ^{1/2}	2.34-2.91	59-74	50	CON250EXP
3	2.99-3.46	76-88	50	CON300EXP
3 ^{1/2}	3.42-4.00	87-102	50	CON350EXP
4	3.94-4.33	100-110	50	CON400EXP
5	5.00-5.35	127-136	50	CON500EXP
6	5.82-6.37	148-162	36	CON600EXP
8	7.83-8.27	199-210	15	CON800EXP

Keeping conduit and innerduct free and clear of water and debris reduces the cost of cable placement. Securing pull rope slack to the rope tie on the backplate of the plug reduces manhole/handhole congestion.

JACKMOON USA
JM

Miscellaneous

GRC Strut Straps FOR IMC and GRC

Size	Standard Package	Per 100 Pair		Item No.
		Weight	EG	
1/2	100	11	92.80	PS1100050EG
3/4	100	15	97.10	PS1100075EG
1	100	17	110.70	PS1100100EG
1 ^{1/4}	100	19	124.00	PS1100125EG
1 ^{1/2}	50	29	152.50	PS1100150EG
2	50	34	160.70	PS1100200EG
2 ^{1/2}	50	40	182.40	PS1100250EG
3	50	47	199.40	PS1100300EG
3 ^{1/2}	25	62	233.10	PS1100350EG
4	25	67	260.90	PS1100400EG
5	25	80	393.20	PS1100500EG
6	25	102	472.50	PS1100600EG



**Other hardware and special
order items also available
upon request**

Miscellaneous

CHANNELS



Designed to carry the heaviest loads and provide the widest variety of applications, 1 5/8" has become the accepted standard for use in mechanical, electrical and general construction applications where supports and attachments must meet the highest strength requirements.

Channel Size	Holes	Outer Coating	Item No.
1 ^{5/8} x 1 ^{5/8}	1 ^{1/8} x 9/16	Painted Green	PS200EHGRN
1 ^{5/8} x 1 ^{5/8}	9/16	Painted Green	PS200HGRN
1 ^{5/8} x 1 ^{5/8}	13/32 x 3	Painted Green	PS200SGRN

EMT Strut Straps

Size	Standard Package	Per 100 Pair		Item No.
		Weight	EG	
1/2	100	11	92.80	PS1000050EG
3/4	100	12	97.10	PS1000075EG
1	100	15	110.70	PS1000100EG
1 ^{1/4}	100	18	124.00	PS1000125EG
1 ^{1/2}	50	29	152.50	PS1000150EG
2	50	33	160.70	PS1000200EG



Miscellaneous

Barrier Posts

- Available in standard galvanized but can be painted any color upon request.
- Also available in other sizes.

Dimensions Diameter x Length	Item No.
4" x 60"	GL400BP
5" x 60"	GL500BP
6" x 60"	GL600BP

